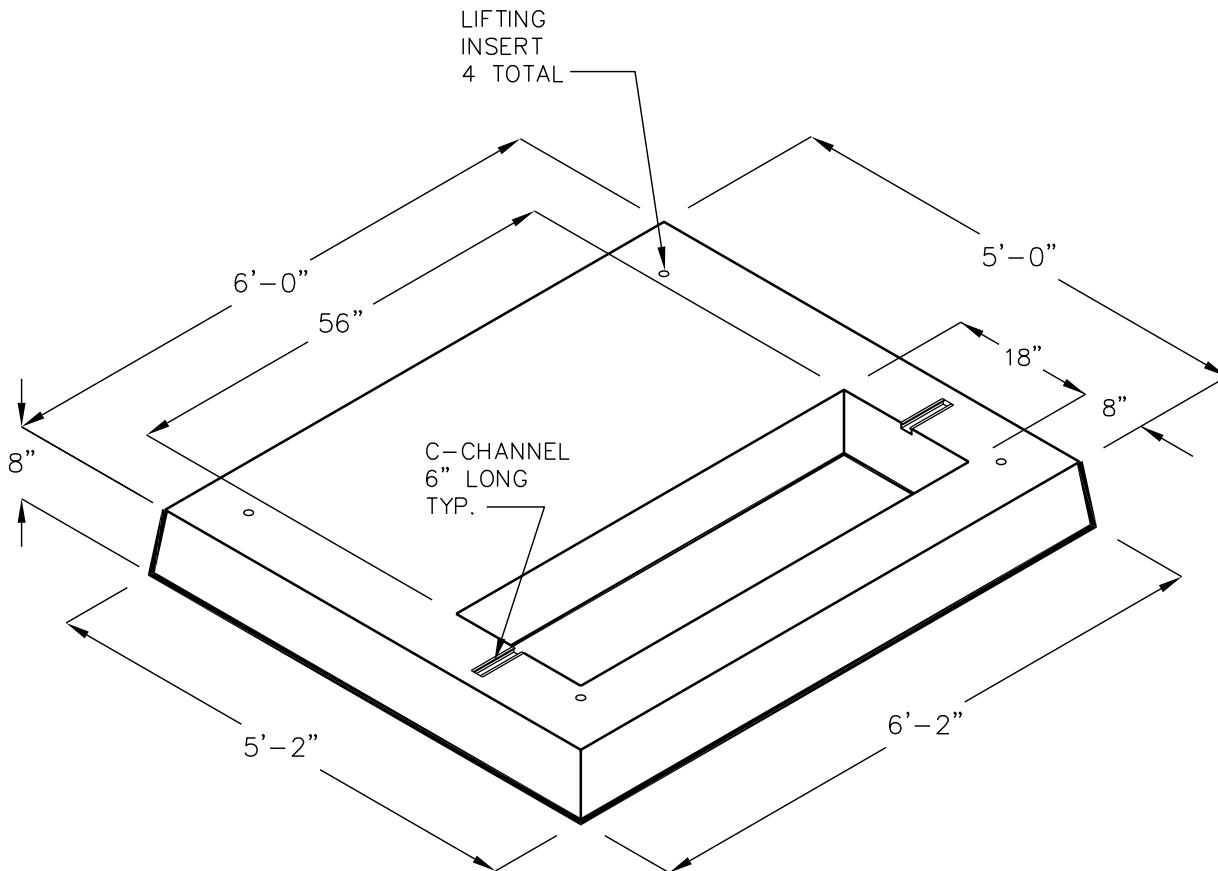


TRANSFORMER PAD

TRUCKEE DONNER PUBLIC UTILITY DISTRICT
MODEL TD5X6
MEETS TDPUD SPECIFICATIONS



APPROX. WEIGHT: 2481 LB

FOR COMPLETE DESIGN
AND PRODUCT INFORMATION
CONTACT JENSEN PRECAST.