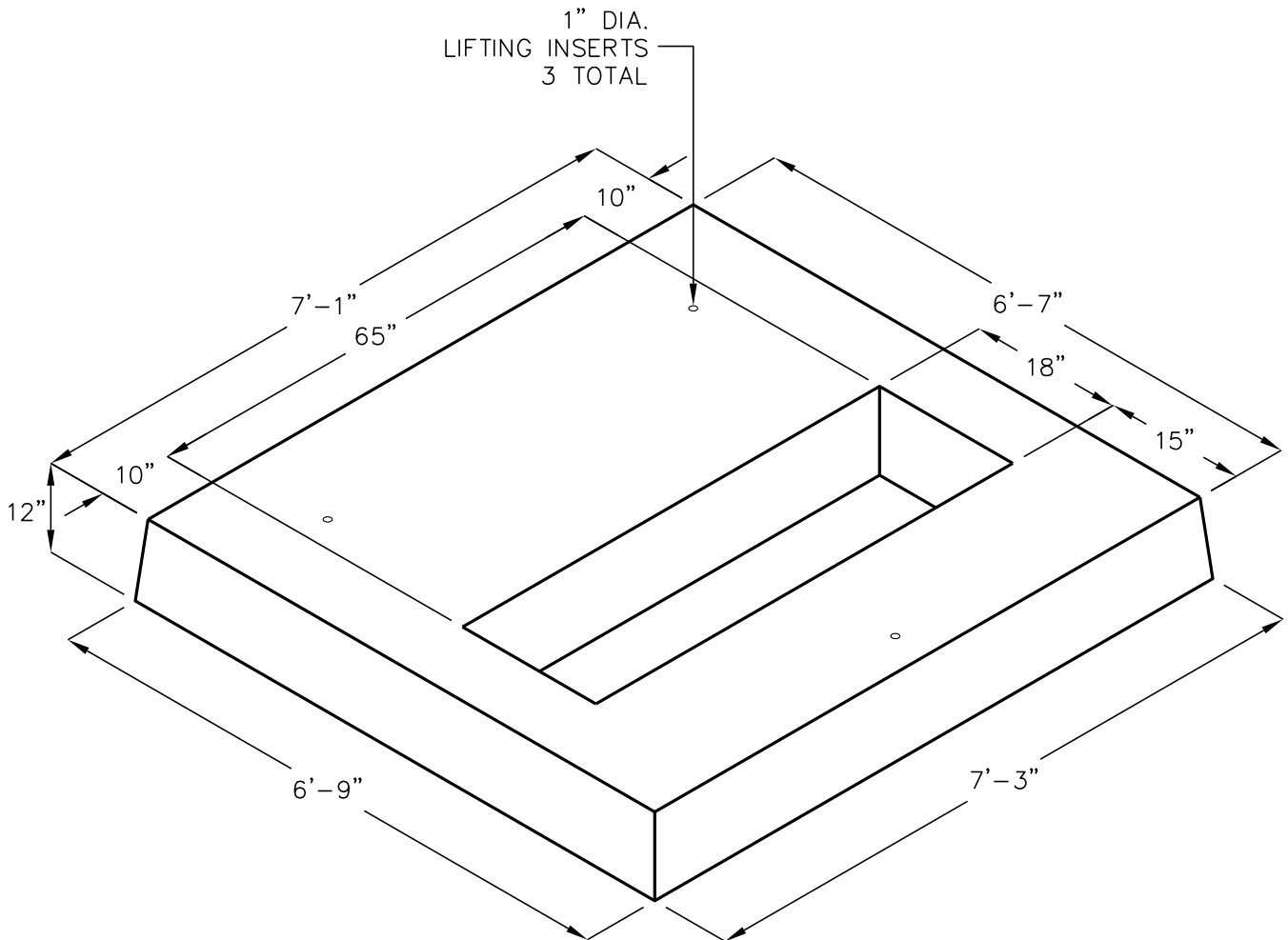


TRANSFORMER PAD MODEL 1500/2500

MEETS NV ENERGY SPECS.
DRAWING NO. PE0006 U
STOCK NO. 24-0697



FOR COMPLETE DESIGN, AND PRODUCT INFORMATION CONTACT JENSEN PRECAST.