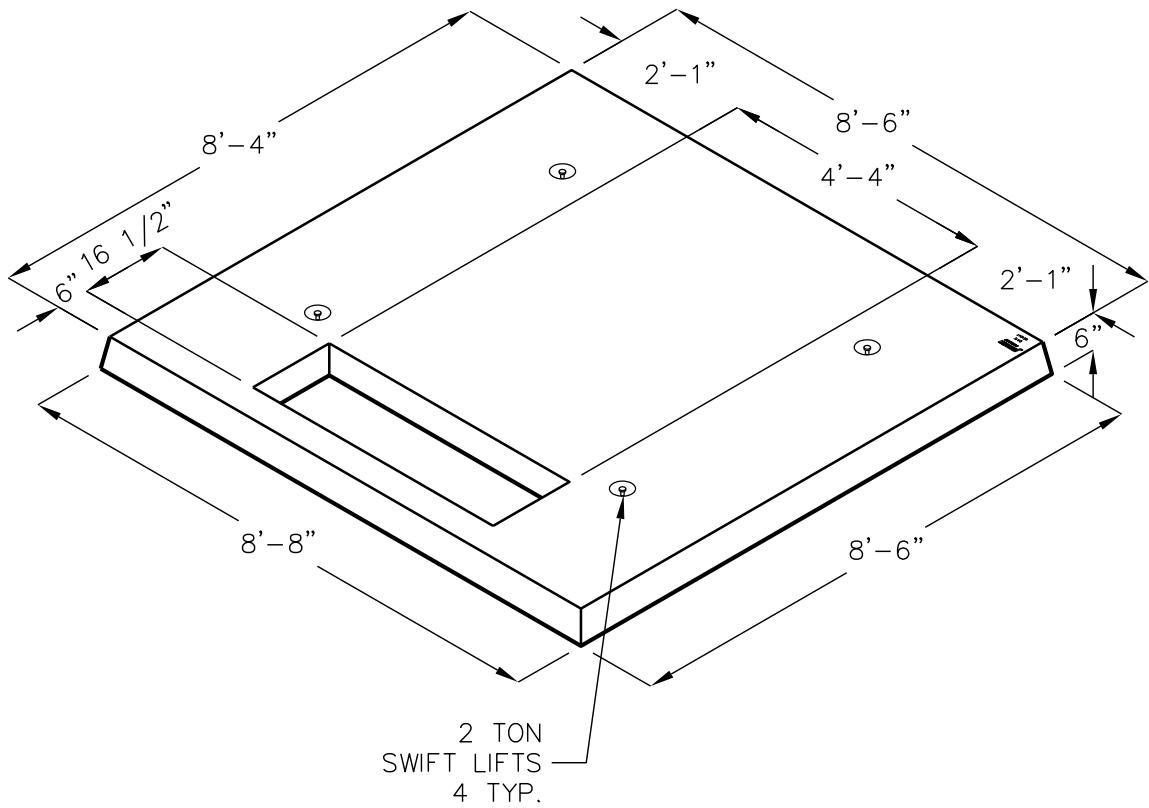


100102 TRANSFORMER PAD

ARIZONA PUBLIC SERVICE
1000-2500 KVA

APPROX. WEIGHT:



FOR COMPLETE DESIGN
AND PRODUCT INFORMATION
CONTACT JENSEN PRECAST.