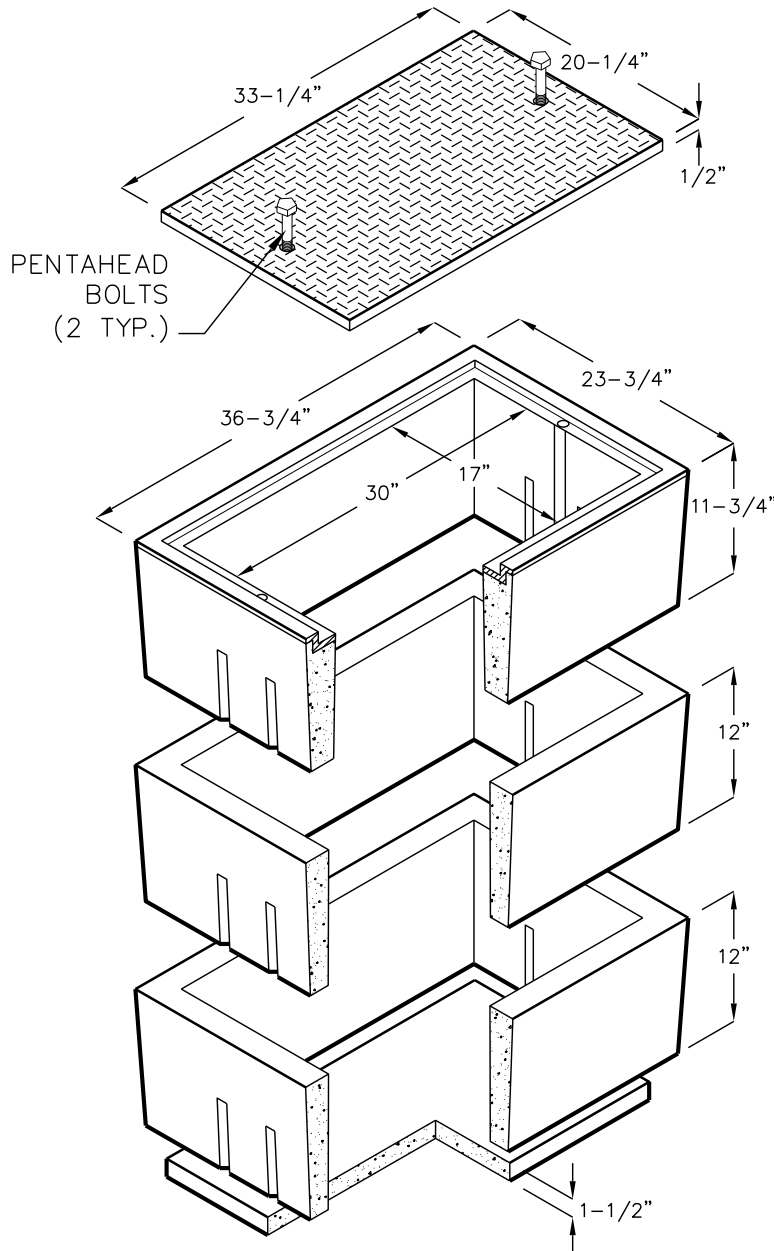


B1730 HANDHOLE

17" x 30" x 11"
(INSIDE DIMENSIONS)

MEETS CALTRANS # 6T
NDOT #7, ADOT #7T
SPECIFICATIONS



DESIGN LOAD: H-20 FULL TRAFFIC

CATALOG NUMBER	PRODUCT	DESCRIPTION	APPROX. WT. (LBS.)
CYB1730 CYN36SL	BOX WITH SLAB	REINFORCED CONCRETE	288 112
CY173051JH	COVER	STEEL CHECKER PLATE	111
CYB1730EXT	EXTENSION	12" HIGH REINFORCED CONCRETE	244
CYHDB1730	HOLD DOWN BOLT	HOLD DOWN PENTAHEAD BOLT (2 EA.)	