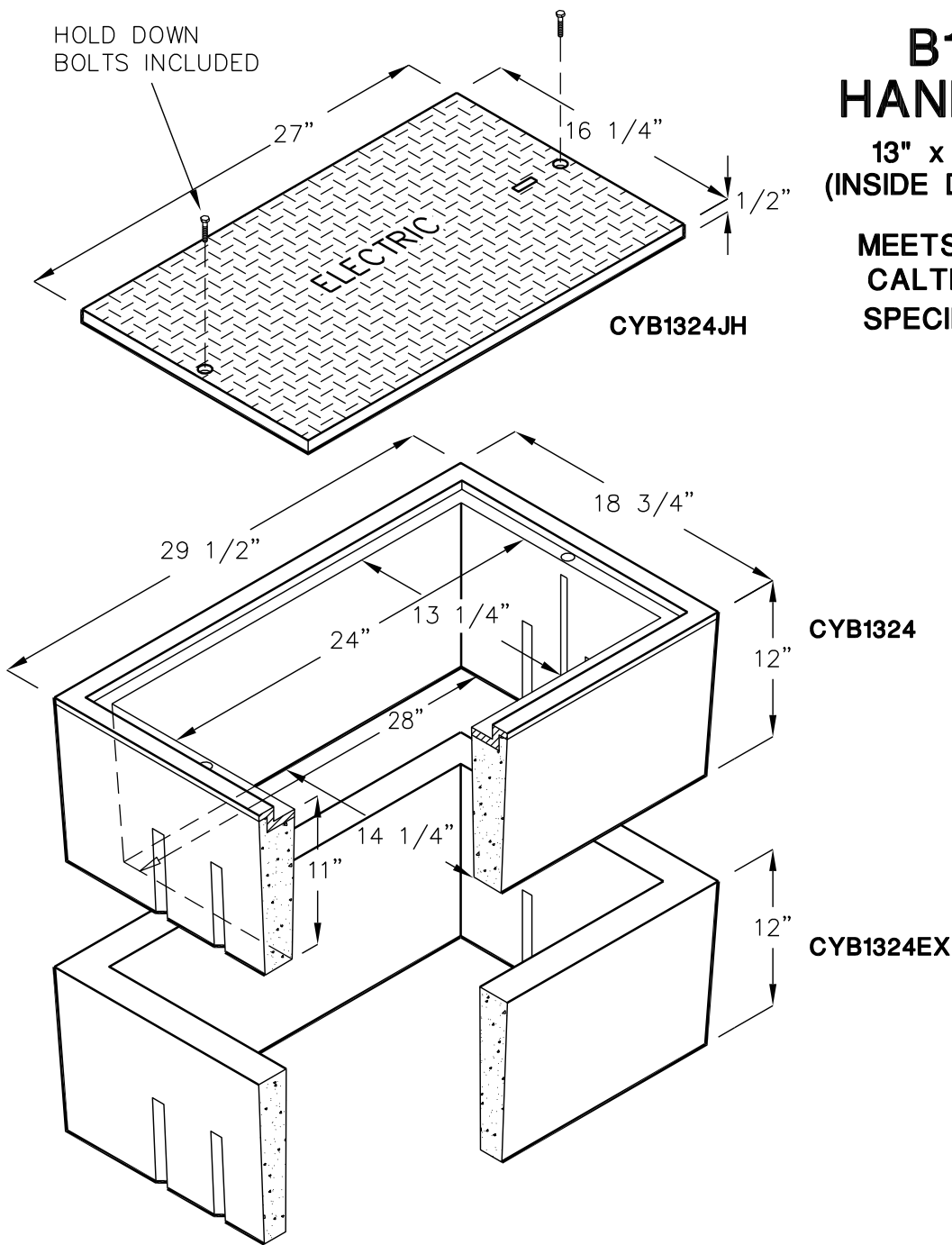


# B1324 HANDHOLE

13" x 24" x 11"  
(INSIDE DIMENSIONS)

MEETS NDOT #5  
CALTRANS #5T  
SPECIFICATIONS



\* STANDARD B1324 KIT (SHOWN ABOVE)

DESIGN LOAD: H-20 FULL TRAFFIC

CATALOG NUMBER	PRODUCT	DESCRIPTION	APPROX. WT. (LBS.)
* CYB1324	BOX	REINFORCED CONCRETE	187
* CYB1324JH	LID	STEEL CHECKER PLATE W/HOLD DOWN BOLTS	63
* CYB1324EX	EXTENSION	12" HIGH REINFORCED CONCRETE	157