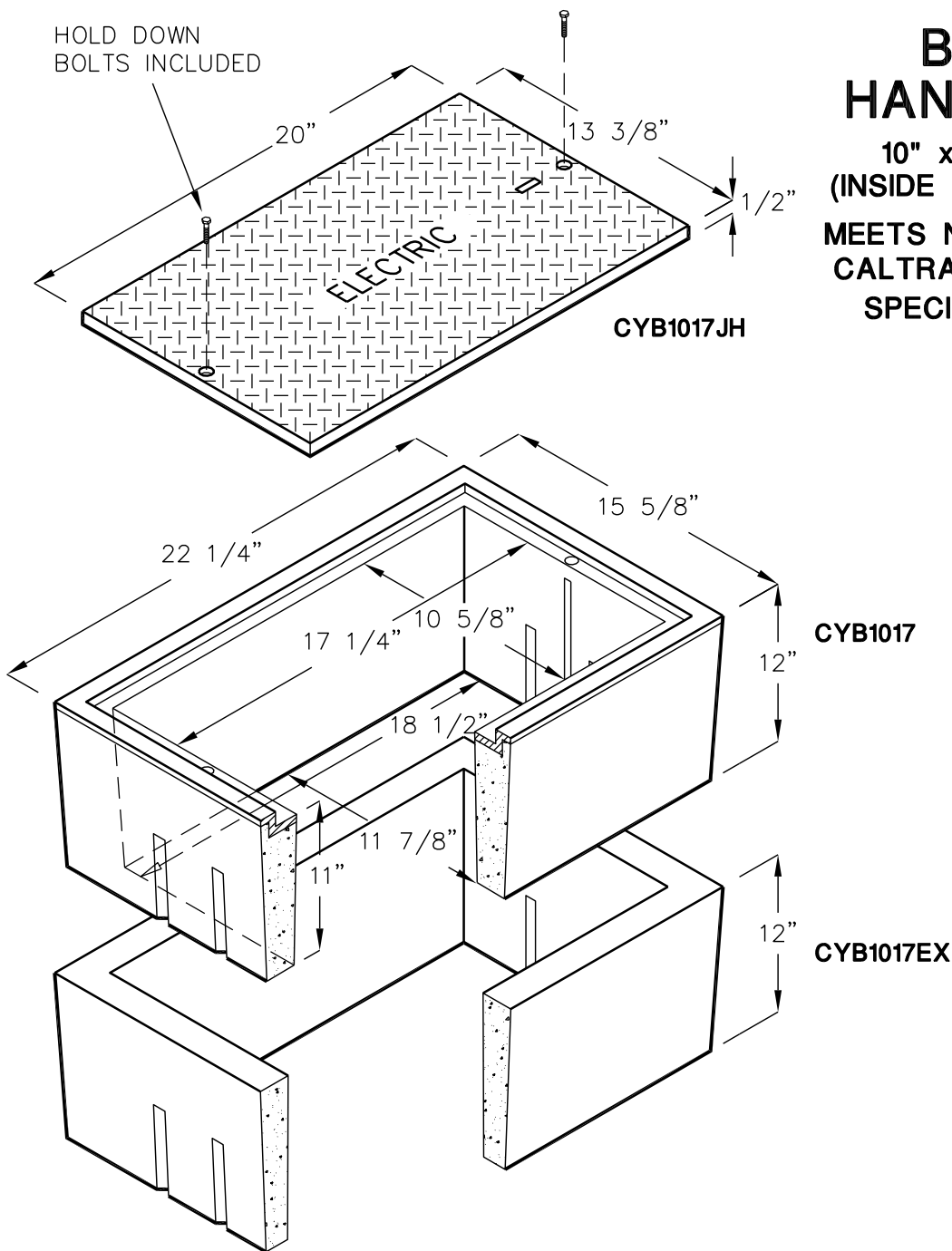


B1017 HANDHOLE

10" x 17" x 11"
(INSIDE DIMENSIONS)

MEETS NDOT # 3-1/2
CALTRANS # 3-1/2T
SPECIFICATIONS



* STANDARD B1017 KIT (SHOWN ABOVE)

DESIGN LOAD: H-20 FULL TRAFFIC

CATALOG NUMBER	PRODUCT	DESCRIPTION	APPROX. WT. (LBS.)
* CYB1017	BOX	REINFORCED CONCRETE	137
* CYB1017JH	LID	STEEL CHECKER PLATE W/HOLD DOWN BOLTS	40
* CYB1017EX	EXTENSION	12" HIGH REINFORCED CONCRETE	120