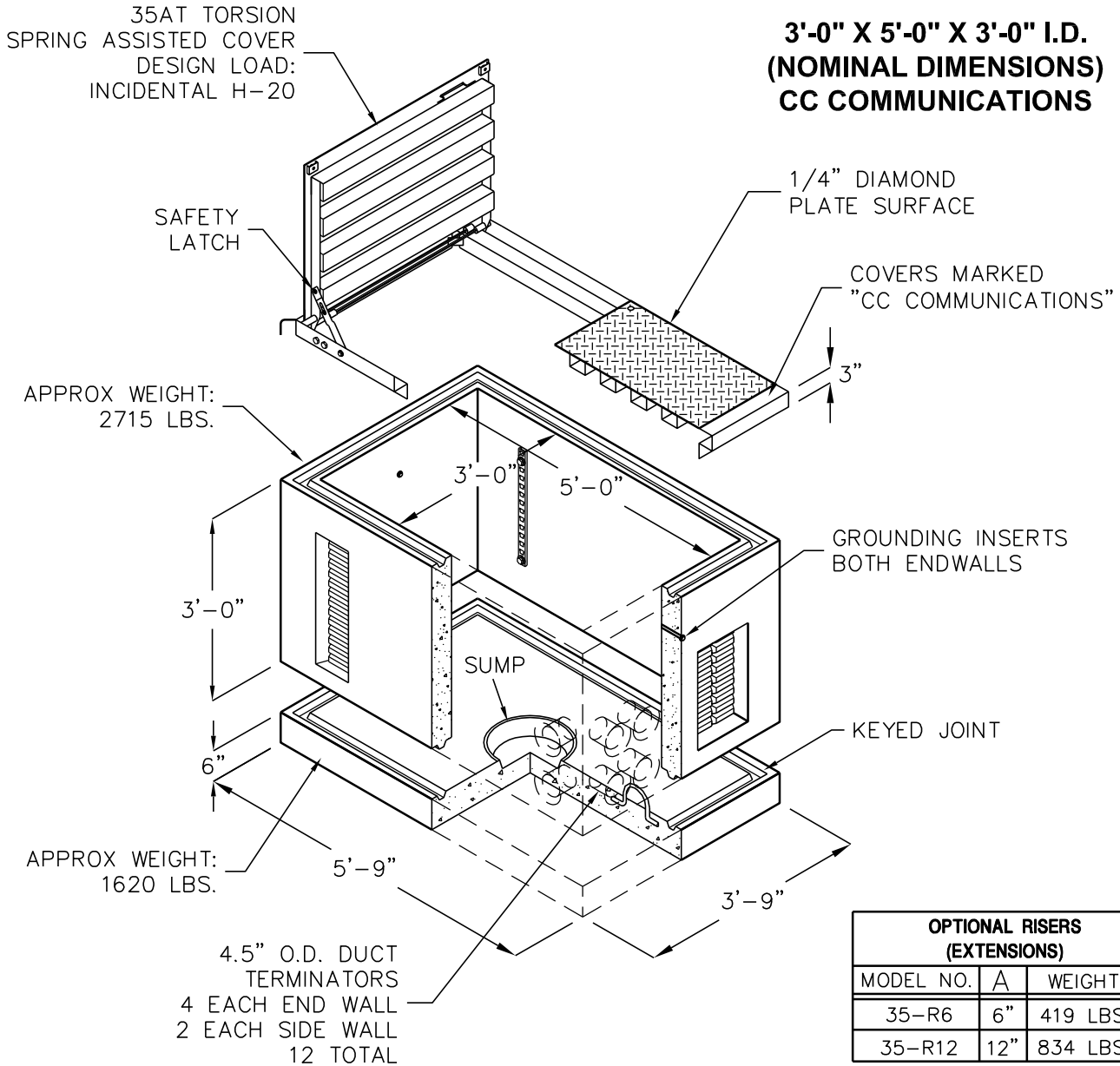


UV35TA-I INTERCEPT PULLBOX

3'-0" X 5'-0" X 3'-0" I.D.
(NOMINAL DIMENSIONS)
CC COMMUNICATIONS



OPTIONAL RISERS (EXTENSIONS)		
MODEL NO.	A	WEIGHT
35-R6	6"	419 LBS.
35-R12	12"	834 LBS.

KNOCKOUTS, DUCT TERMINATORS, RACKING, PULLING IRONS, ETC. PER CURRENT CC COMMUNICATIONS SPECIFICATIONS.

DESIGN LOAD: INCIDENTAL H-20 TRAFFIC SUITABLE FOR OFF STREET LOCATIONS AWAY FROM HIGH DENSITY TRAFFIC.

FOR COMPLETE DESIGN AND PRODUCT INFORMATION CONTACT JENSEN PRECAST.

