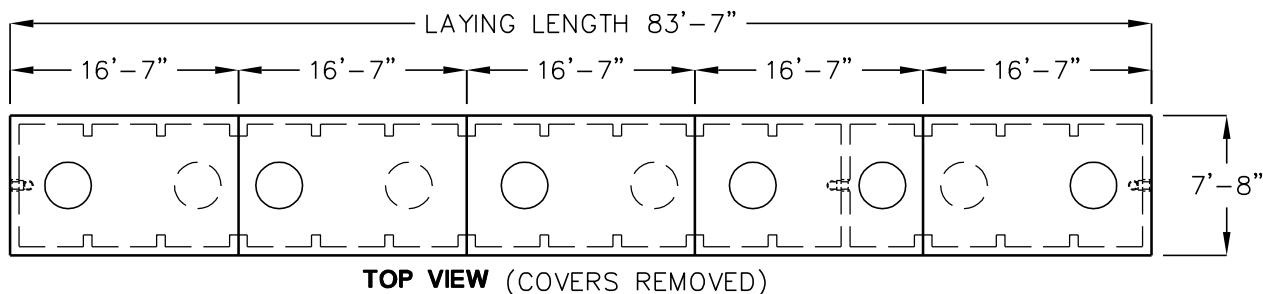
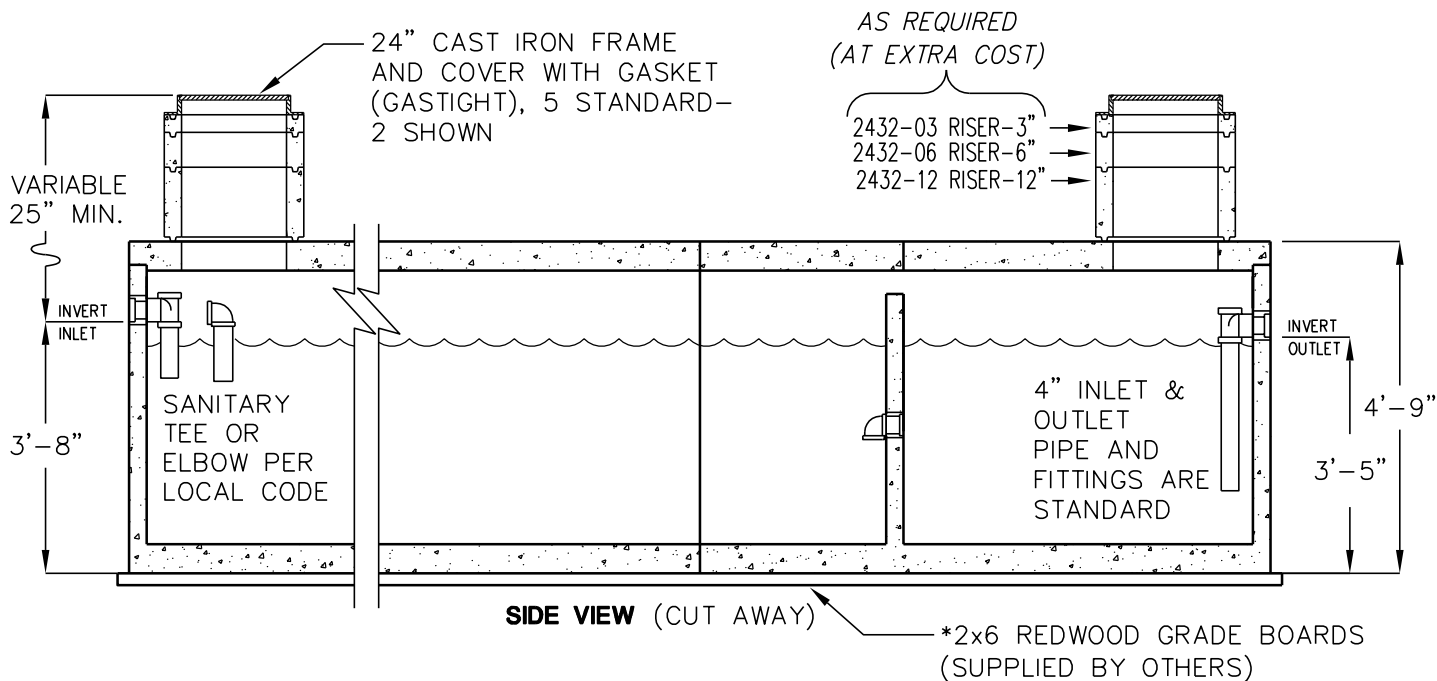


12,500 GALLON LOW PROFILE BATTERY SAND-OIL INTERCEPTOR

MODEL 5XJP2500-SO



- = RECOMMENDED RISER/CAST IRON COVER LOCATIONS
- = OPTIONAL RISER/CAST IRON COVER LOCATIONS

ASSEMBLY SEQUENCE SIDE VIEW

	1 TOP	2 TOP	3 TOP	4 TOP	5 TOP	
INLET	1 BASE	2 BASE	3 BASE	4 BASE	5 BASE	OUTLET

FOR INSTALLATION INSTRUCTIONS, DESIGN AND PRODUCT INFORMATION, CONTACT JENSEN PRECAST.

LIQUID CAPACITY: 12,500 GALLONS.
BOX DESIGN LOAD: H-20 TRAFFIC FROM 1' TO 5' OF SOIL COVER.