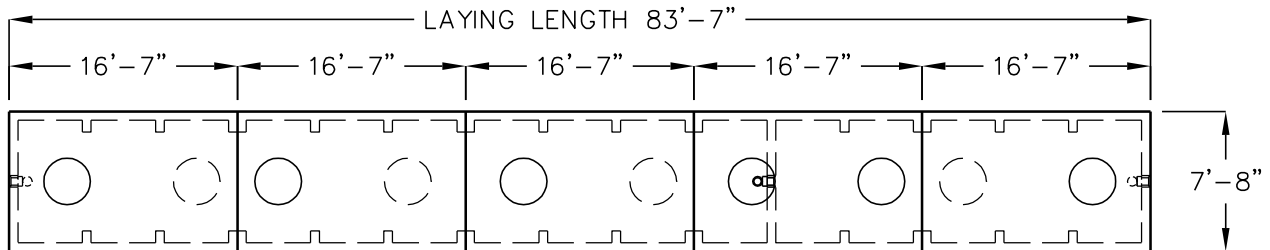
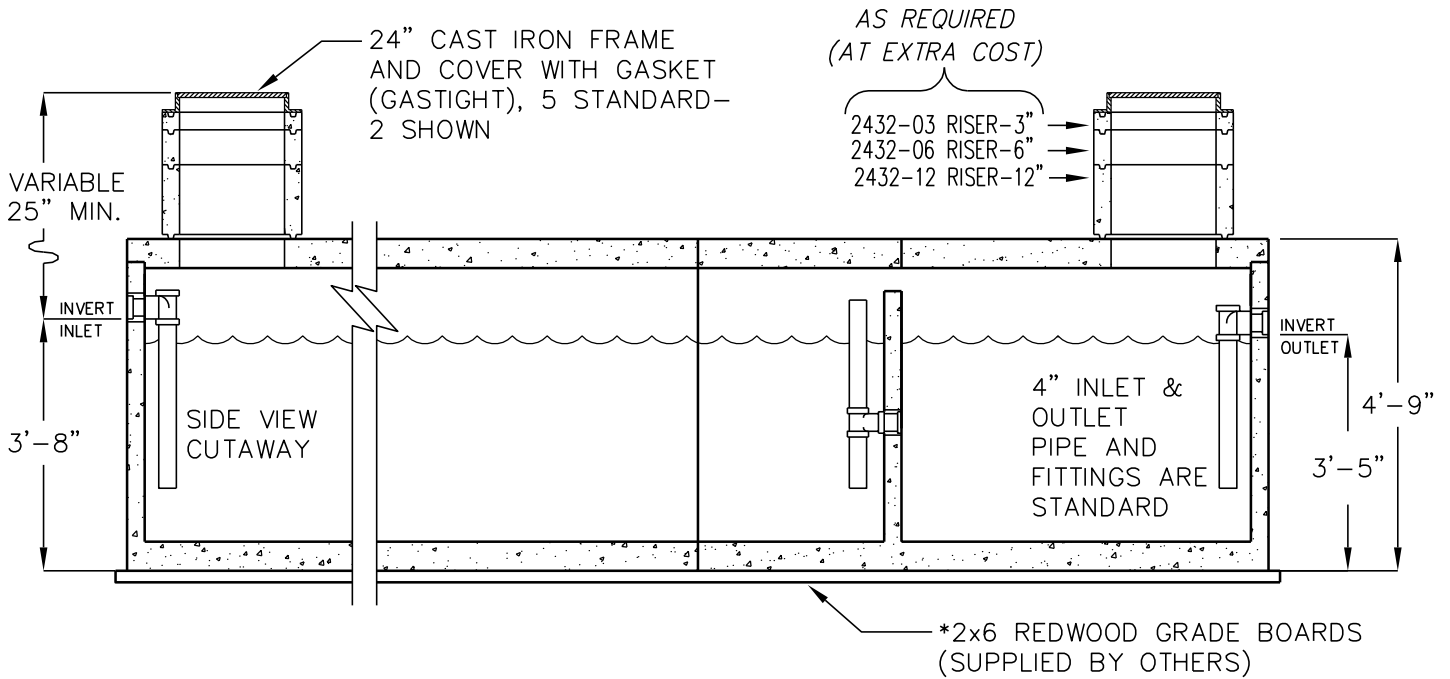


# 12,500 GALLON LOW PROFILE BATTERY GREASE INTERCEPTOR

MODEL 5XJP2500-G



TOP VIEW  
COVERS  
REMOVED

- = RECOMMENDED RISER/CAST IRON COVER LOCATIONS
- = OPTIONAL RISER/CAST IRON COVER LOCATIONS

ASSEMBLY SEQUENCE  
SIDE VIEW

INLET	1 TOP	2 TOP	3 TOP	4 TOP	5 TOP	OUTLET
	1 BASE	2 BASE	3 BASE	4 BASE	5 BASE	

FOR INSTALLATION INSTRUCTIONS, DESIGN AND PRODUCT INFORMATION, CONTACT JENSEN PRECAST.

LIQUID CAPACITY: 12,500 GALLONS.  
 BOX DESIGN LOAD: H-20 TRAFFIC FROM 1' TO 5' OF SOIL COVER.