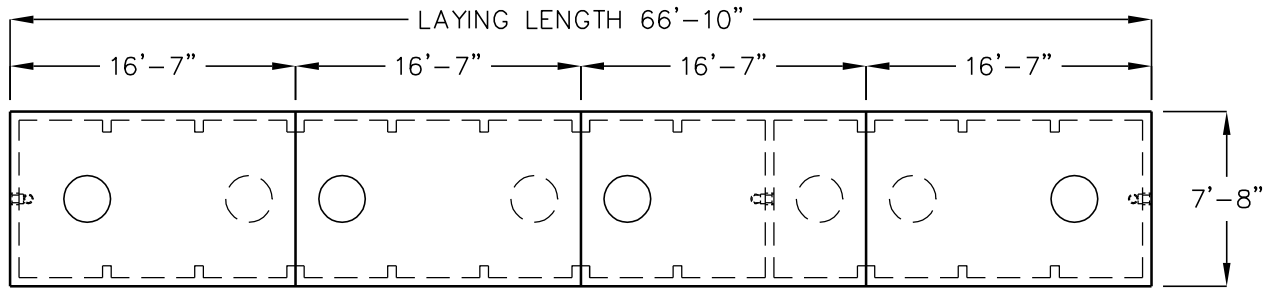
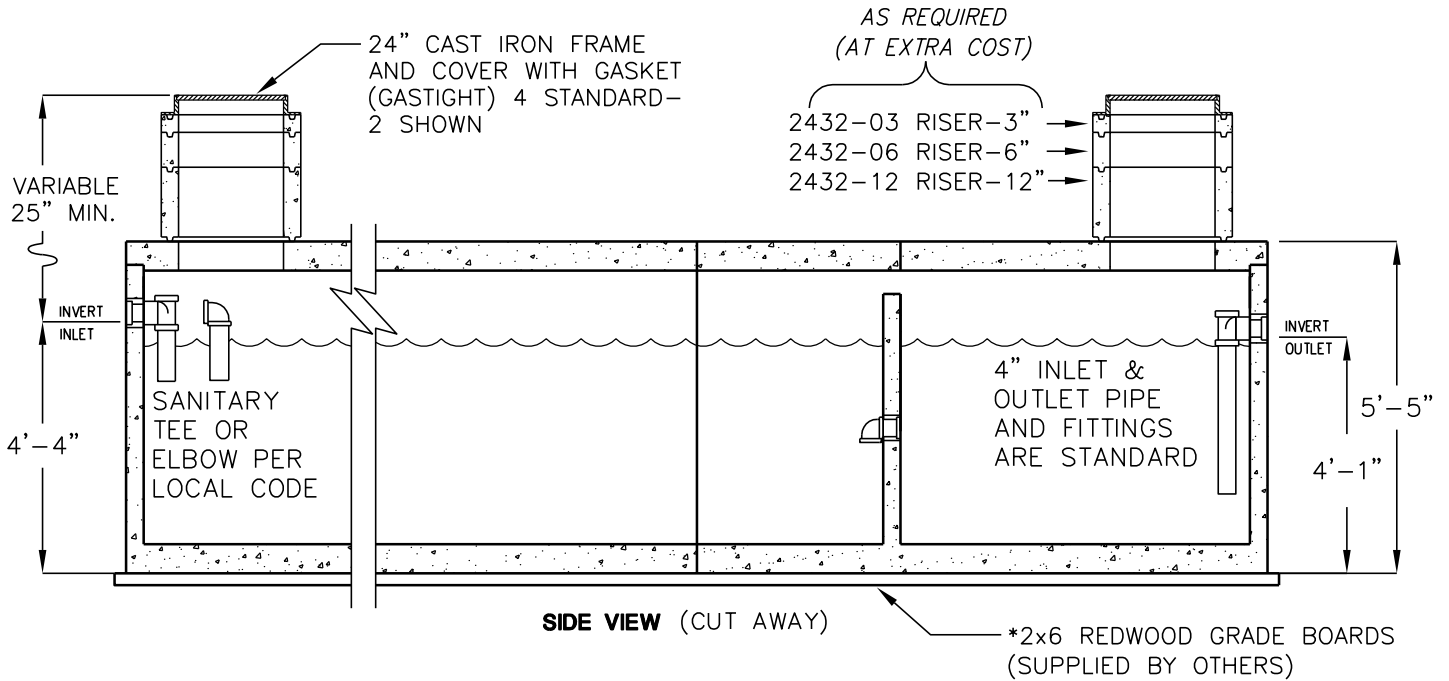


12,000 GALLON LOW PROFILE BATTERY SAND-OIL INTERCEPTOR

MODEL 4XJP3000-SO



TOP VIEW (COVERS REMOVED)

- = RECOMMENDED RISER/CAST IRON COVER LOCATIONS
- = OPTIONAL RISER/CAST IRON COVER LOCATIONS

ASSEMBLY SEQUENCE
SIDE VIEW

INLET	1 TOP	2 TOP	3 TOP	4 TOP	OUTLET
	1 BASE	2 BASE	3 BASE	4 BASE	

FOR INSTALLATION INSTRUCTIONS,
DESIGN AND PRODUCT INFORMATION,
CONTACT JENSEN PRECAST.

LIQUID CAPACITY: 12,000 GALLONS.
BOX DESIGN LOAD: H-20 TRAFFIC FROM
1' TO 5' OF SOIL COVER.