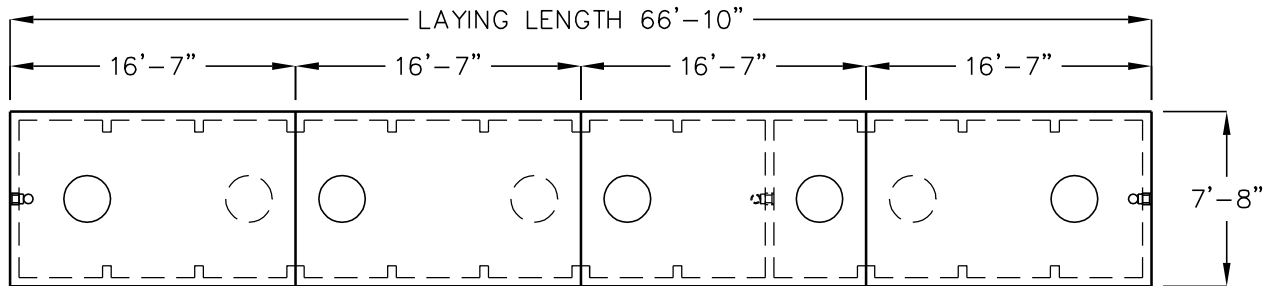
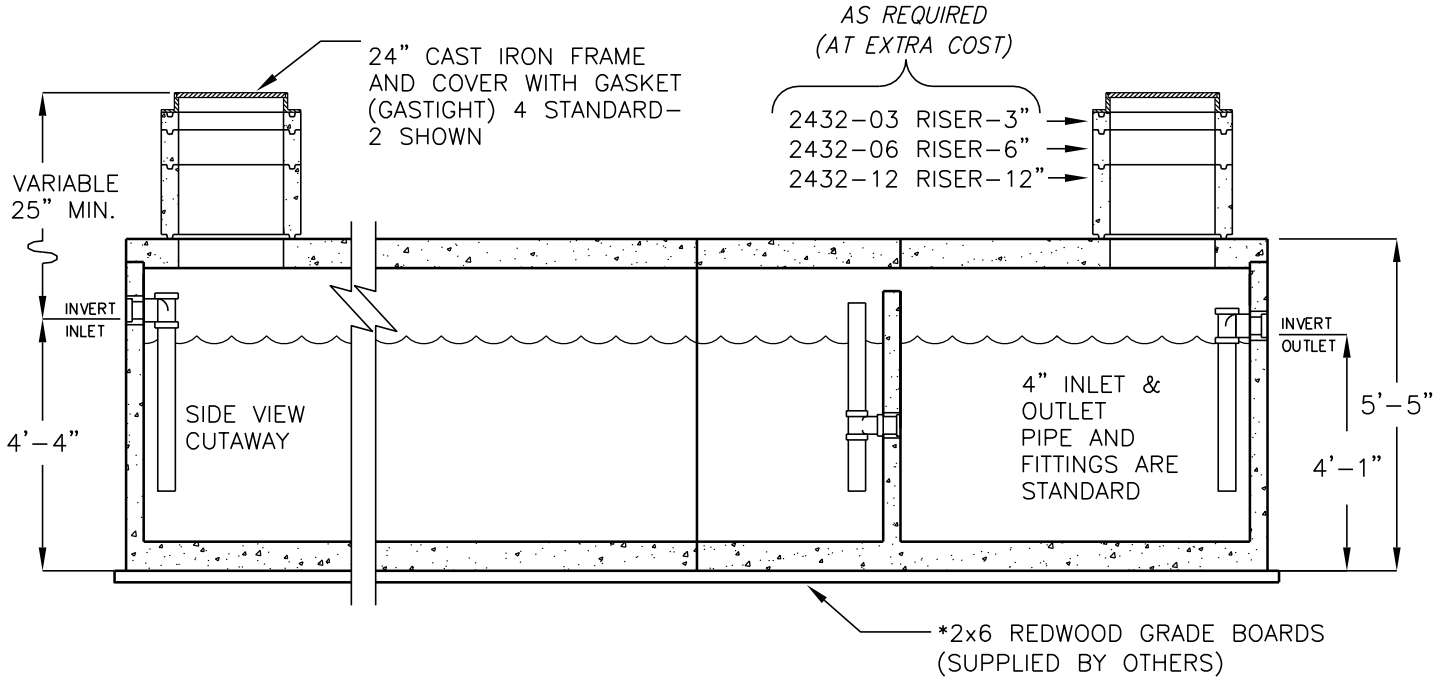


# 12,000 GALLON BATTERY GREASE INTERCEPTOR

## MODEL 4XJP3000-G



TOP VIEW  
COVERS  
REMOVED

- = RECOMMENDED RISER/CAST IRON COVER LOCATIONS
- = OPTIONAL RISER/CAST IRON COVER LOCATIONS

ASSEMBLY SEQUENCE  
SIDE VIEW

	1 TOP	2 TOP	3 TOP	4 TOP	
INLET	1 BASE	2 BASE	3 BASE	4 BASE	OUTLET

FOR INSTALLATION INSTRUCTIONS,  
DESIGN AND PRODUCT INFORMATION,  
CONTACT JENSEN PRECAST.

LIQUID CAPACITY: 12,000 GALLONS.  
BOX DESIGN LOAD: H-20 TRAFFIC FROM  
1' TO 5' OF SOIL COVER.