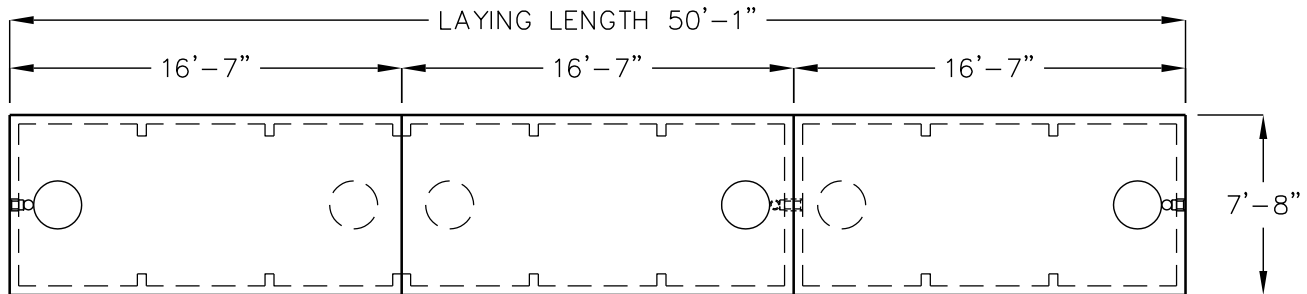
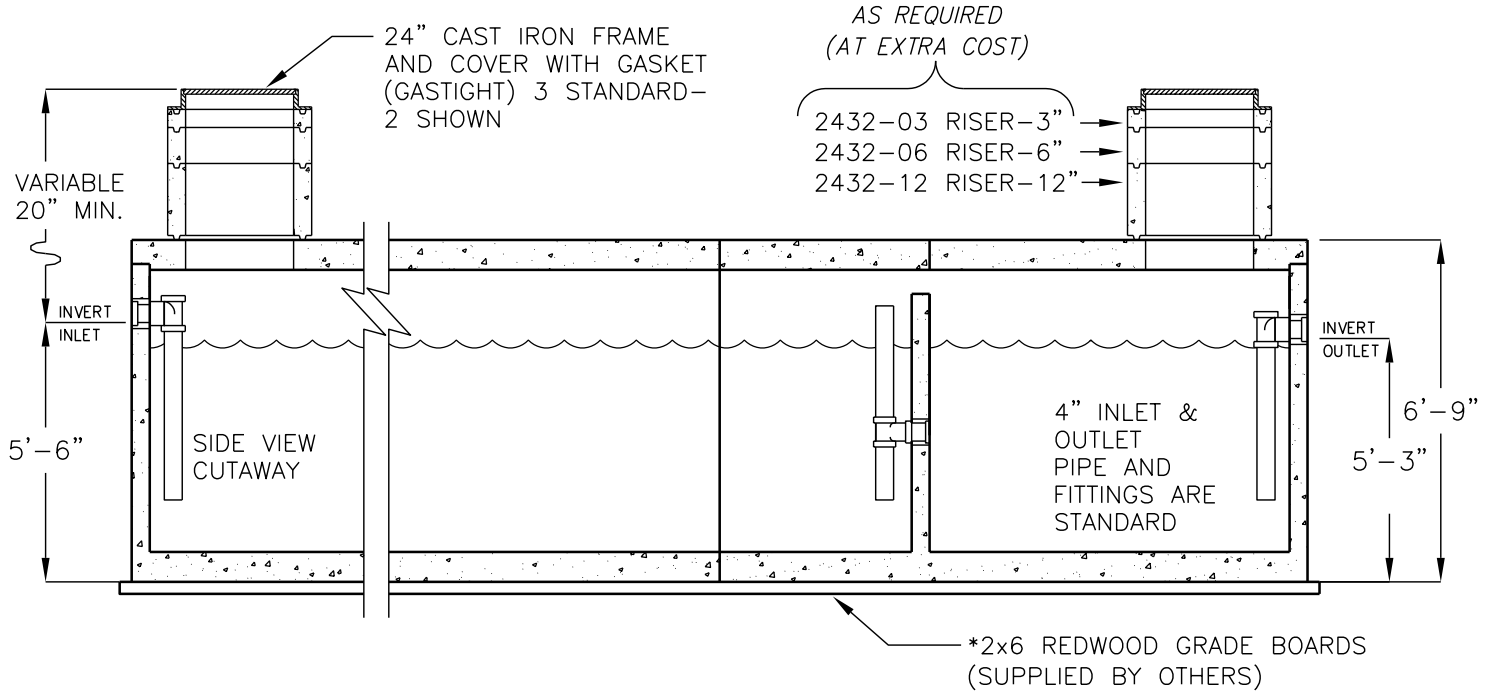


# 12,000 GALLON BATTERY GREASE INTERCEPTOR

## MODEL 3XJZ4000-G



TOP VIEW  
COVERS  
REMOVED

○ = RECOMMENDED  
RISER/CAST IRON  
COVER LOCATIONS

○ = OPTIONAL  
RISER/CAST IRON  
COVER LOCATIONS

ASSEMBLY SEQUENCE  
SIDE VIEW

INLET	1 TOP	2 TOP	3 TOP	OUTLET
	1 BASE	2 BASE	3 BASE	

FOR INSTALLATION INSTRUCTIONS,  
DESIGN AND PRODUCT INFORMATION,  
CONTACT JENSEN PRECAST.

LIQUID CAPACITY: 12,000 GALLONS.  
BOX DESIGN LOAD: H-20 TRAFFIC FROM  
1' TO 5' OF SOIL COVER.