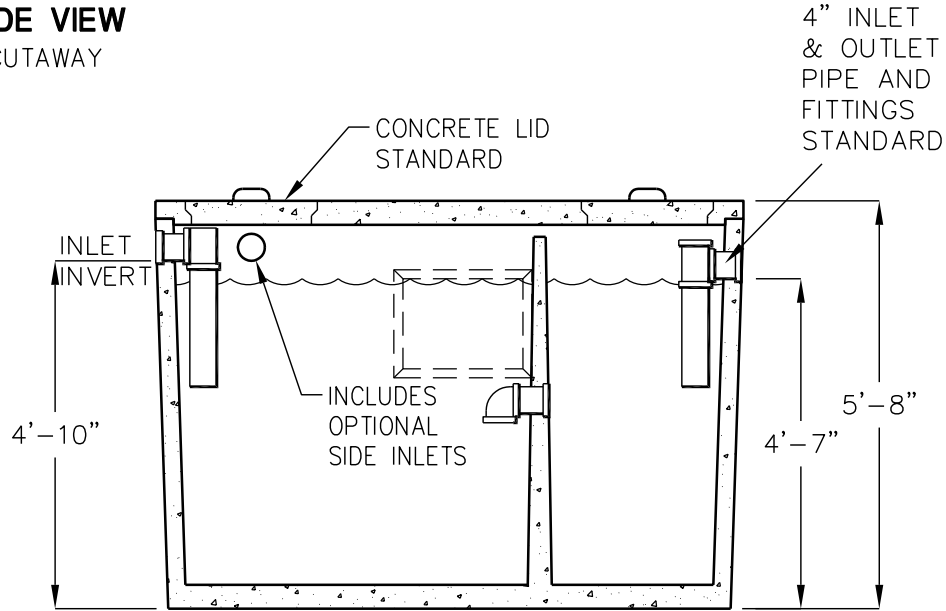


# 1000 GALLON RESIDENTIAL SEPTIC TANK

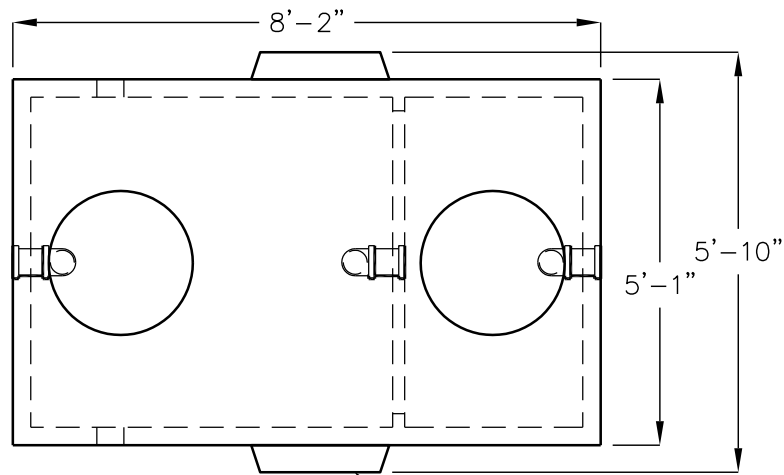
MODEL JS1000

ACCEPTED BY UPC®

**SIDE VIEW  
CUTAWAY**



**TOP VIEW**



LIQUID CAPACITY: 1000 GALLONS  
BOX DESIGN LOAD: NON-TRAFFIC, UP TO 3 FEET  
OF SOIL COVER, MAXIMUM 500 PSF.

FOR COMPLETE DESIGN  
AND PRODUCT INFORMATION  
CONTACT JENSEN PRECAST.