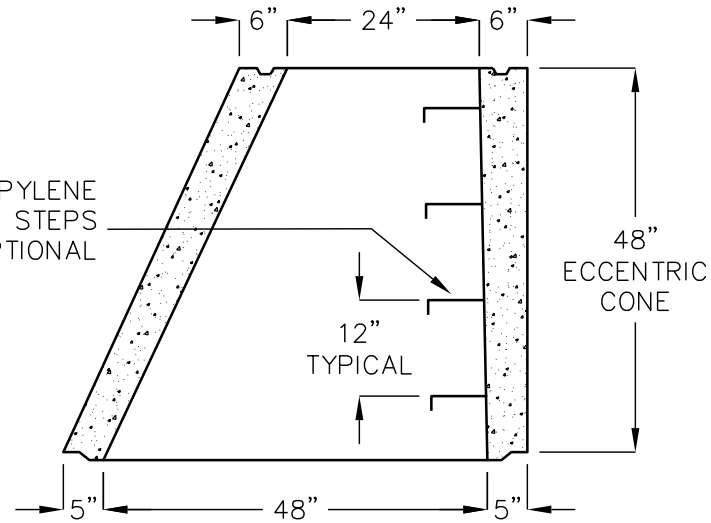
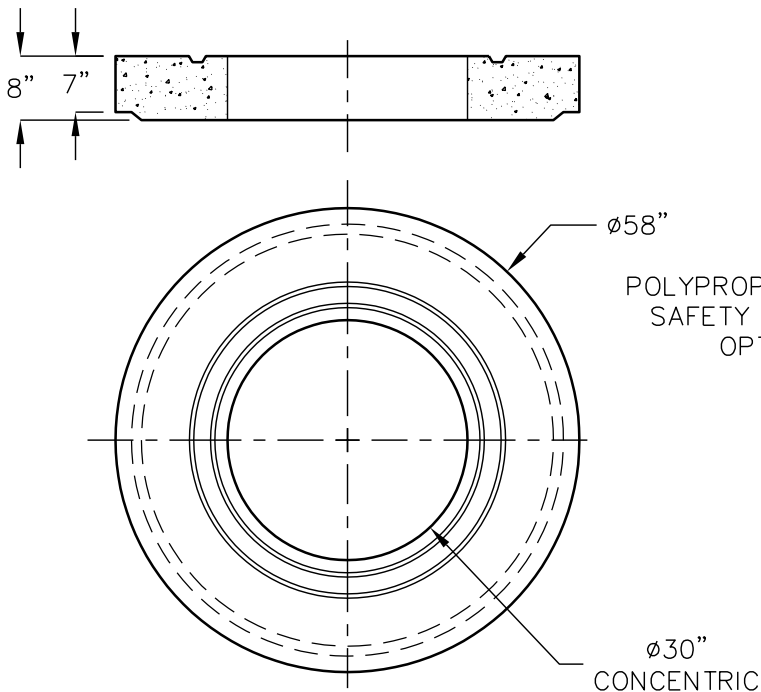
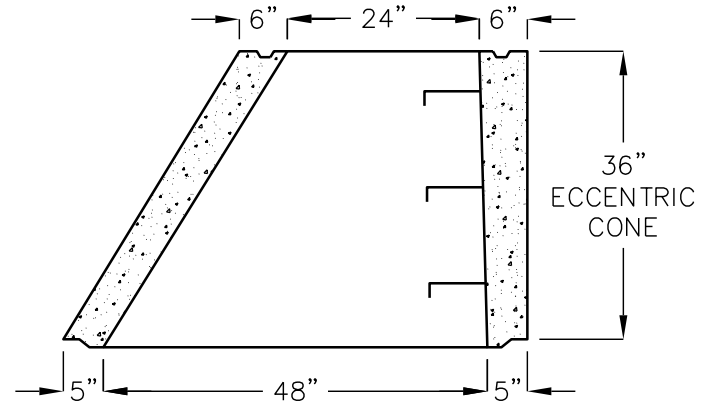
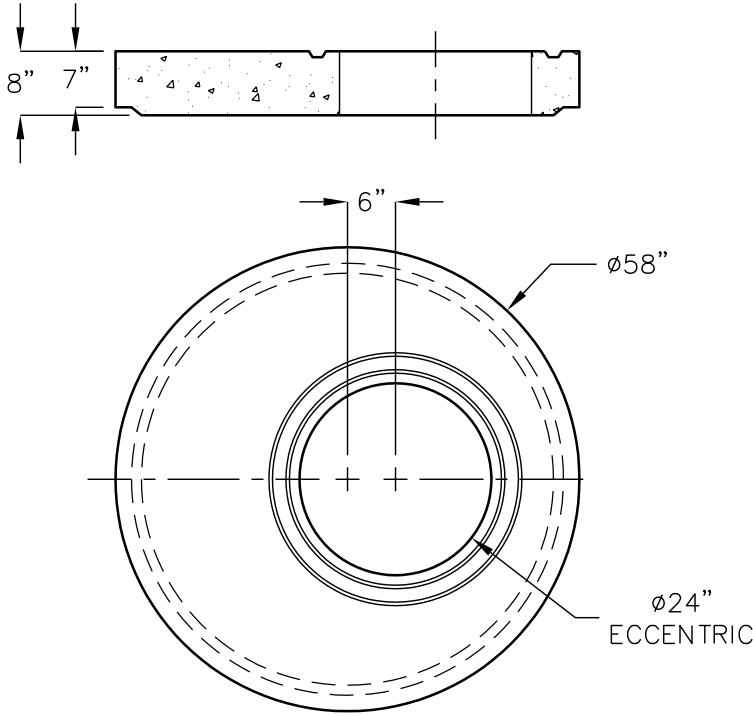


48" I.D. 5" WALL ECCENTRIC CONES AND FLAT TOPS



MANHOLE COMPONENTS CONFORM TO CURRENT SPECIFICATIONS, ASTM C-478 AND AASHTO M199.

FOR COMPLETE DESIGN AND PRODUCT INFORMATION CONTACT JENSEN PRECAST.

FLAT TOPS AND CONES ARE DESIGNED FOR AASHTO HS-20 WHEEL LOADING.