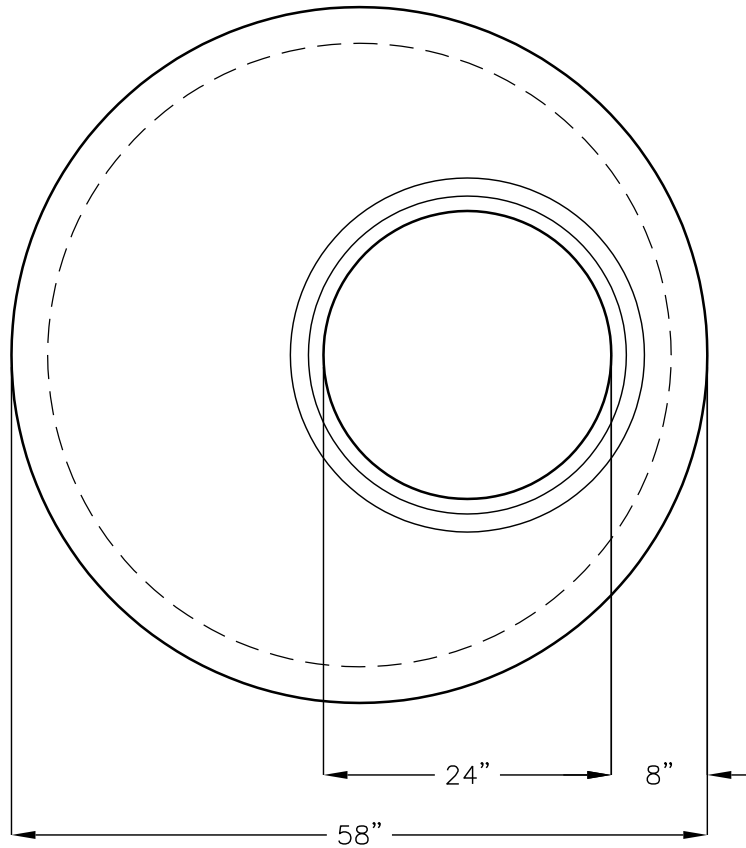
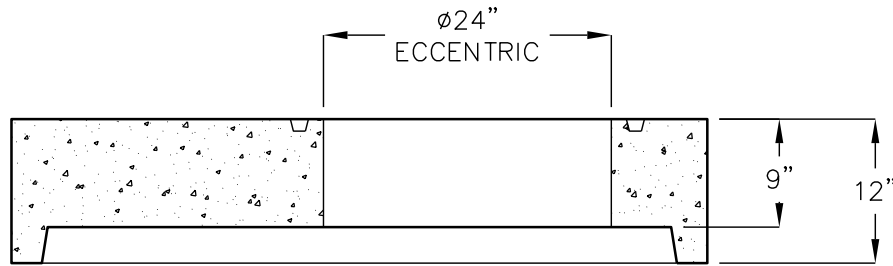


**48" I.D. 5" WALL**  
**FLAT TOP**  
**WITH 24" ECCENTRIC**  
**ACCESS OPENING**  
MAG 420 SPECIFICATIONS



MANHOLE COMPONENTS CONFORM TO CURRENT SPECIFICATIONS, ASTM C-478 AND AASHTO M199.

FOR COMPLETE DESIGN AND PRODUCT INFORMATION, CONTACT JENSEN PRECAST.

FLAT TOPS AND BASE SLABS ARE DESIGNED FOR AASHTO HS-20 WHEEL LOADING.