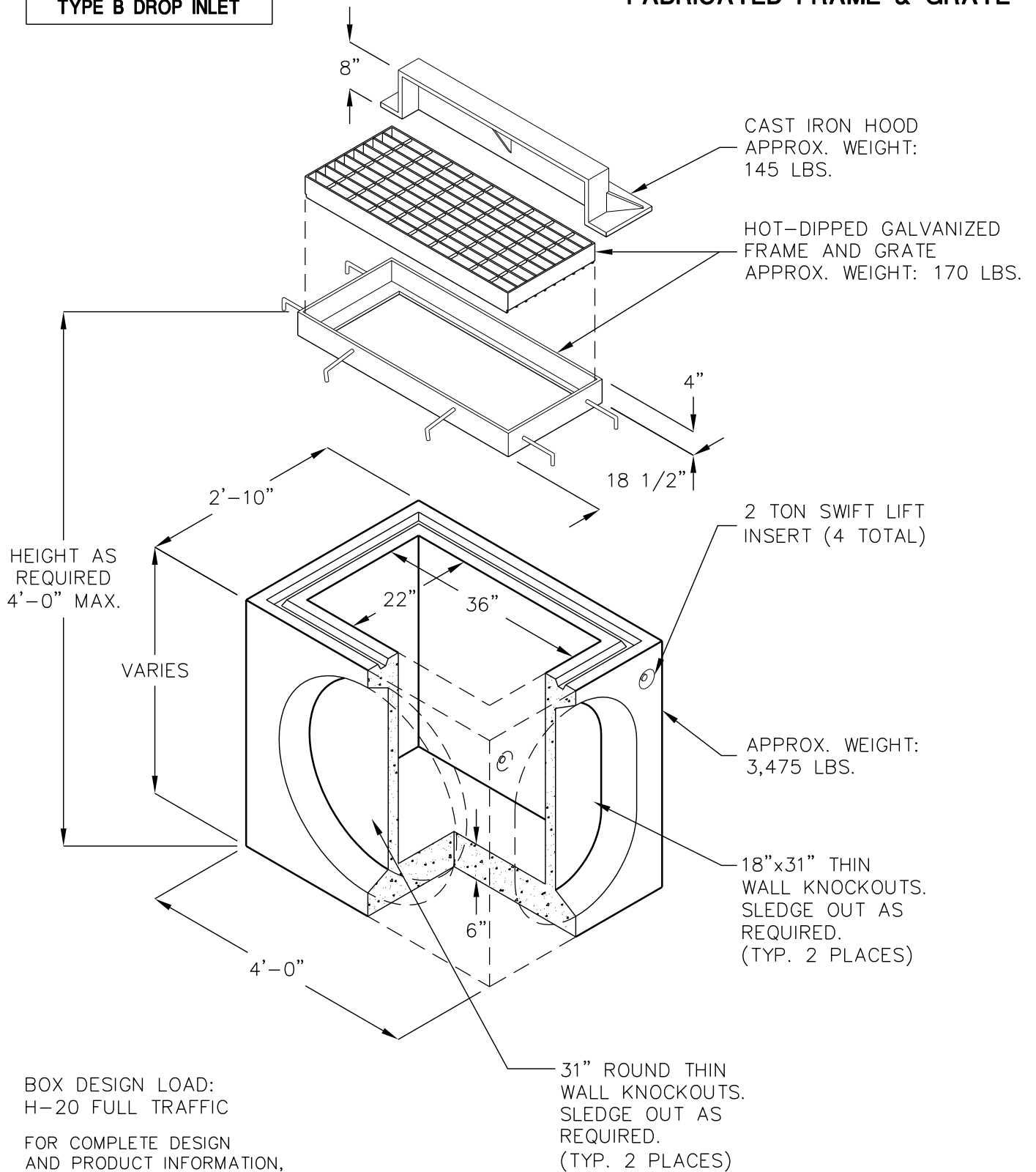


MEETS REQUIREMENTS FOR:
**SACRAMENTO COUNTY
 PUBLIC WORKS AGENCY**
TYPE B DROP INLET

2236-B

**22" x 36" DROP INLET
 WITH CAST IRON HOOD,
 FABRICATED FRAME & GRATE**



BOX DESIGN LOAD:
 H-20 FULL TRAFFIC

FOR COMPLETE DESIGN
 AND PRODUCT INFORMATION,
 CONTACT JENSEN PRECAST.