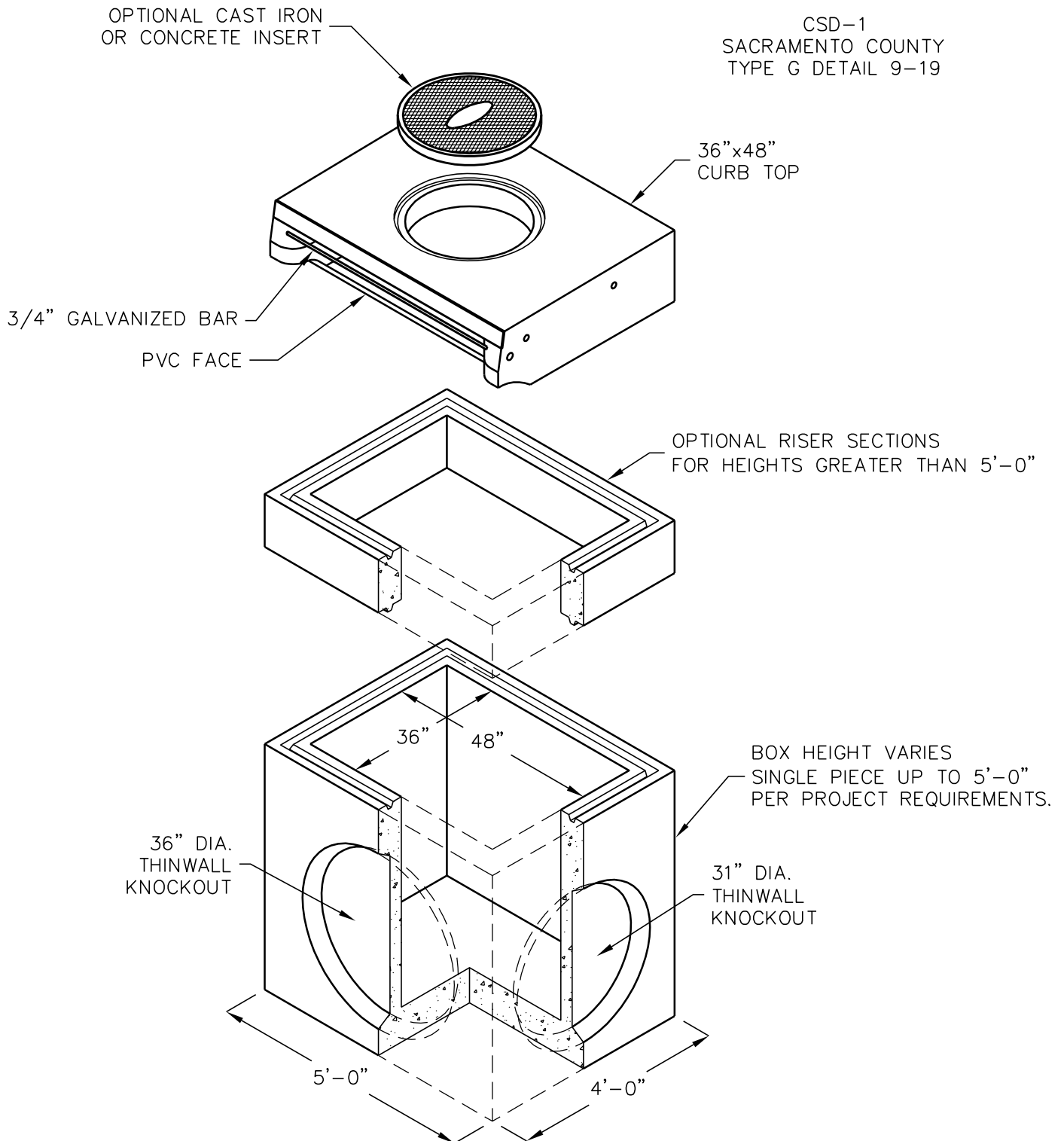


CURB INLET

SACRAMENTO COUNTY TYPE G

CSD-1
SACRAMENTO COUNTY
TYPE G DETAIL 9-19



BOX DESIGN LOAD: H-20 TRAFFIC.

FOR COMPLETE DESIGN AND PRODUCT INFORMATION
CONTACT JENSEN PRECAST.