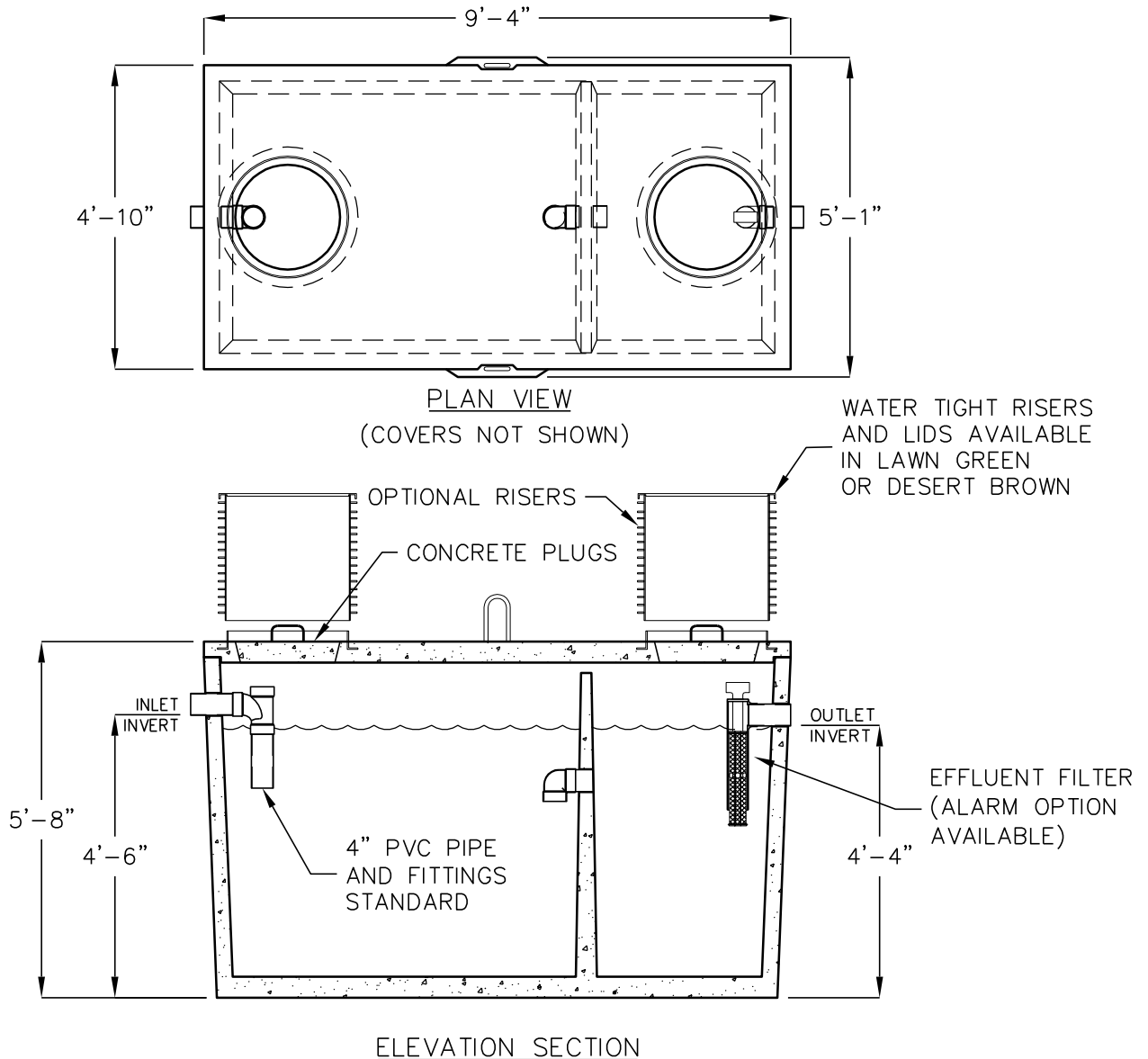


1000 GALLON RESIDENTIAL SEPTIC TANK

MODEL AS-1000-EE-ST
NON-TRAFFIC RATED



OPERATING CAPACITY: 1000 GALLONS.
SEE SHEET SD003-1 RESIDENTIAL FILTERS AND ALARMS FOR DETAILS.

DESIGN LOAD: NON-TRAFFIC WITH DRY SOIL CONDITIONS (WATER TABLE BELOW TANK) EARTH COVER NOT TO EXCEED 3 FEET.

SUITABLE SUB-BASE BEDDED WITH GRANULAR MATERIAL SHALL BE PREPARED TO HANDLE ANTICIPATED LOADS.

FOR COMPLETE DESIGN AND PRODUCT INFORMATION CONTACT JENSEN PRECAST.

MINIMUM EXCAVATION
5'-10" x 10'-3"
x REQ'D DEPTH

Jensen Precast reserves the right to make changes to product design and/or dimensions without notice. Please contact Jensen Precast whenever necessary for confirmation or advice on product design.

JENSEN
PRECAST