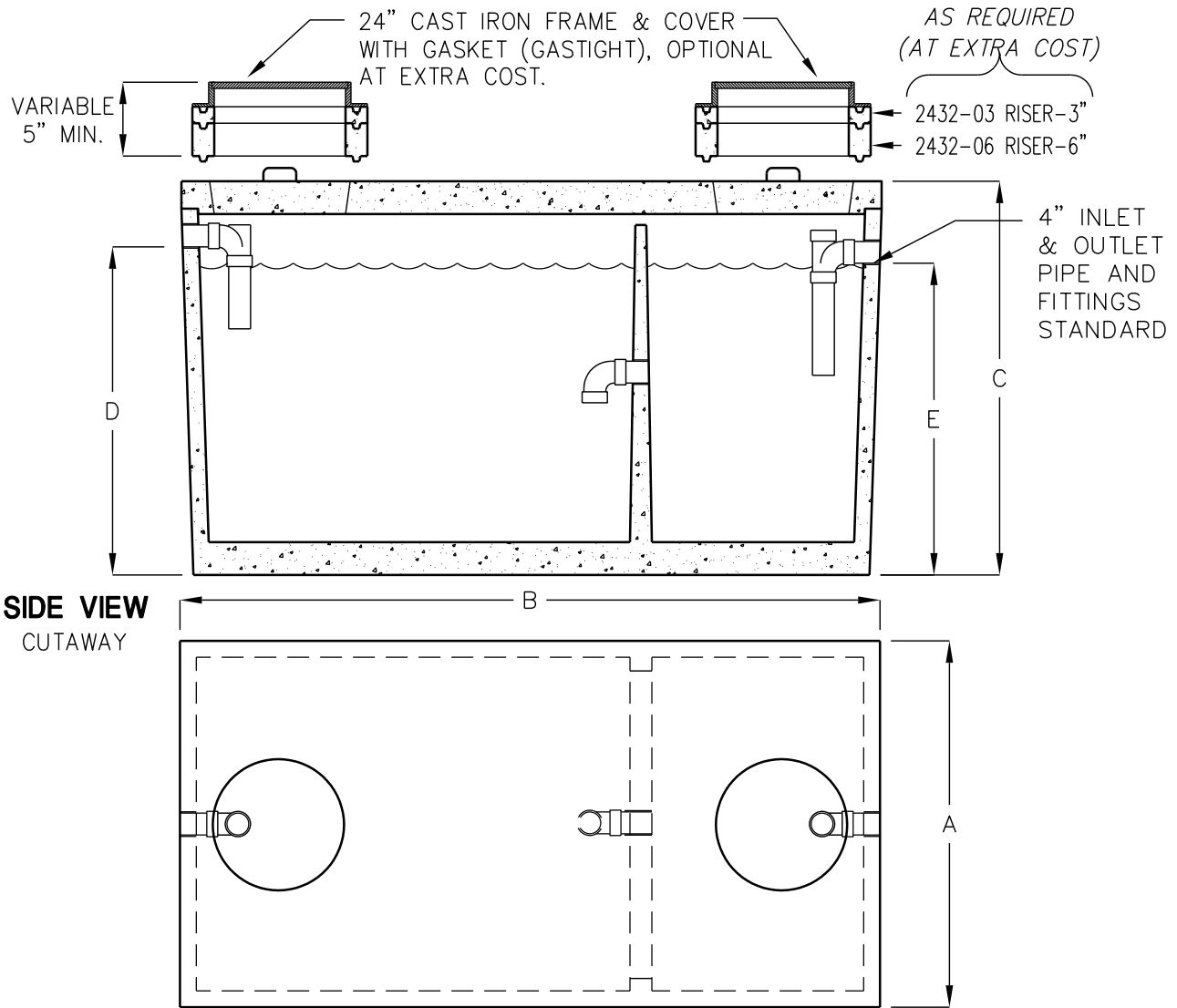


# COMMERCIAL SEPTIC TANKS

TRAFFIC RATED ACCEPTED BY UPC®



**SIDE VIEW**  
CUTAWAY

**TOP VIEW**

(COVERS & RISERS REMOVED)

MODEL NUMBER	LIQUID CAPACITY GALLONS	DIMENSION A	DIMENSION B	DIMENSION C	DIMENSION D	DIMENSION E	MINIMUM EXCAVATION WIDTH	MINIMUM EXCAVATION LENGTH	DEPTH OF BURY
JP-750	750	4'-0"	8'-1"	6'-0"	5'-0"	4'-9"	5'-0"	9'-1"	1' TO 6'
JP-1000	1000	5'-1"	8'-2"	6'-0"	5'-0"	4'-9"	6'-1"	9'-2"	1' TO 6'
JP-1200	1200	5'-9"	8'-6"	6'-0"	5'-0"	4'-9"	6'-9"	9'-6"	1' TO 6'
JP-1500	1500	5'-7"	10'-8"	6'-0"	5'-0"	4'-9"	6'-7"	11'-8"	1' TO 6'
JP-2000	2000	4'-11"	15'-11"	6'-0"	5'-0"	4'-9"	5'-11"	16'-11"	1' TO 6'
JZ-2500	2500	5'-9"	16'-10"	6'-0"	5'-0"	4'-9"	6'-9"	17'-10"	1' TO 5'
JZ-3000	3000	5'-9"	16'-10"	6'-9"	5'-9"	5'-6"	6'-9"	17'-10"	1' TO 5'
JZ-4000	4000	7'-8"	16'-7"	6'-9"	5'-6"	5'-3"	8'-8"	17'-7"	1' TO 5'
JZ-5000	5000	7'-8"	16'-7"	7'-11"	6'-9"	6'-6"	8'-8"	17'-7"	1' TO 4'

DESIGN LOAD: H-20 TRAFFIC

FOR COMPLETE DESIGN AND PRODUCT INFORMATION, CONTACT JENSEN PRECAST.