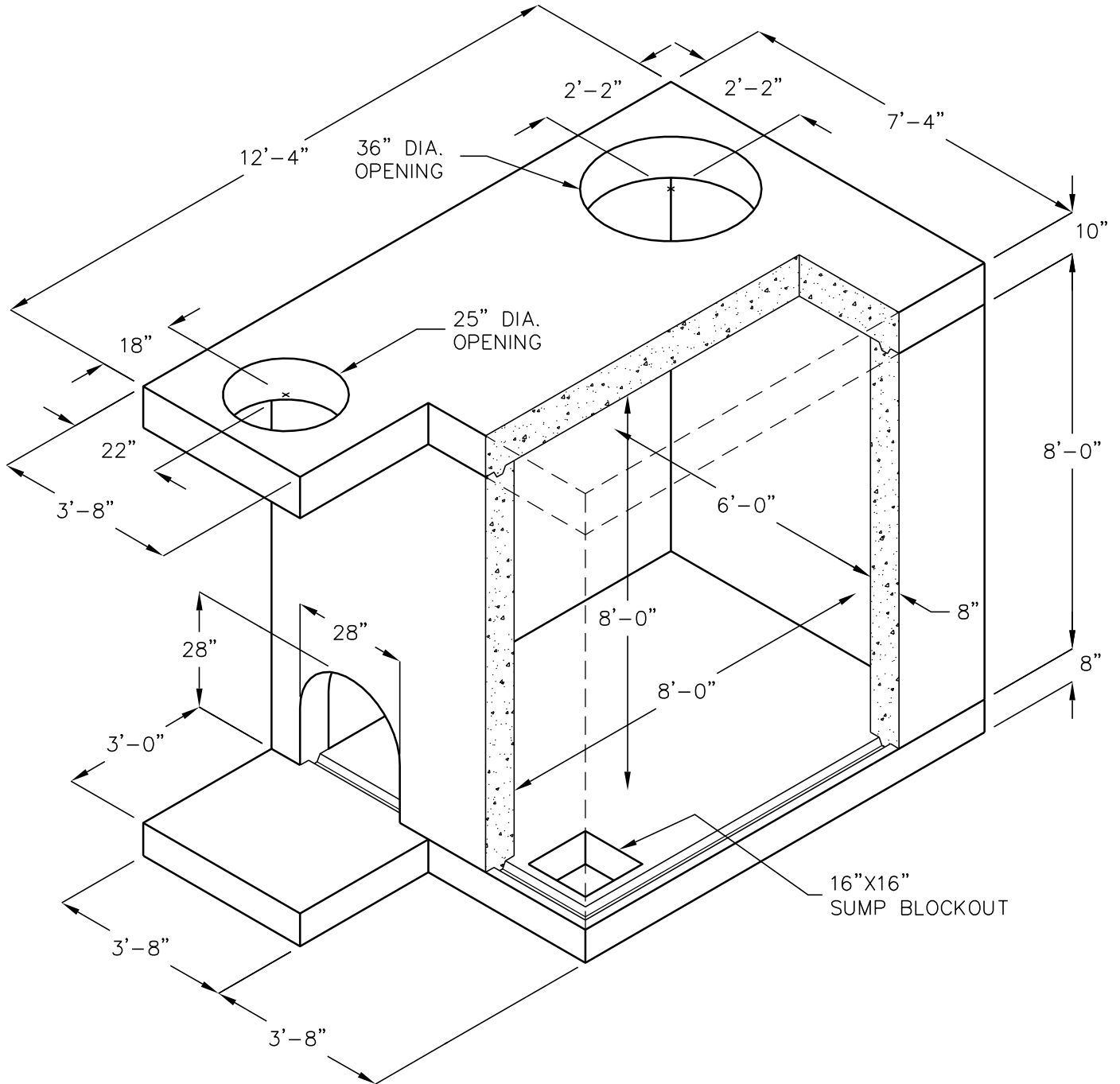


STEAM VAULT

6'-0" X 8'-0" X 8'-0" I.D.
(NOMINAL DIMENSIONS)



DESIGN LOAD: H-20 TRAFFIC

FOR COMPLETE DESIGN AND PRODUCT INFORMATION
CONTACT JENSEN PRECAST.