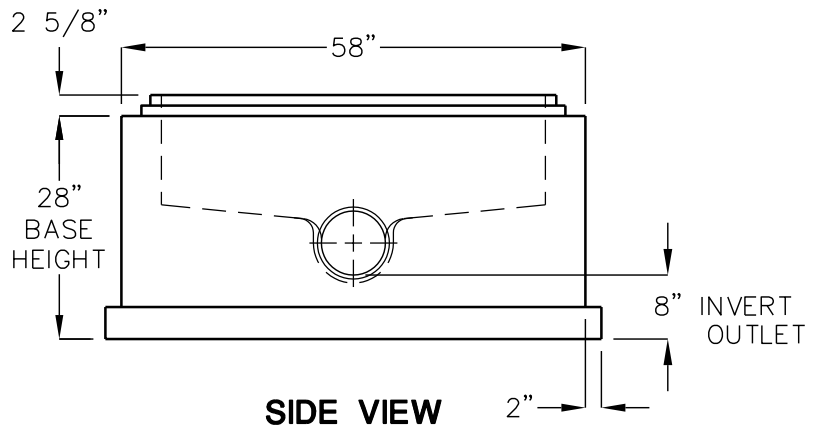
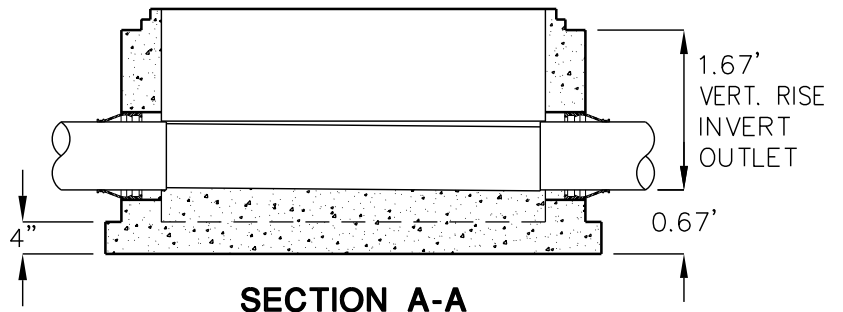
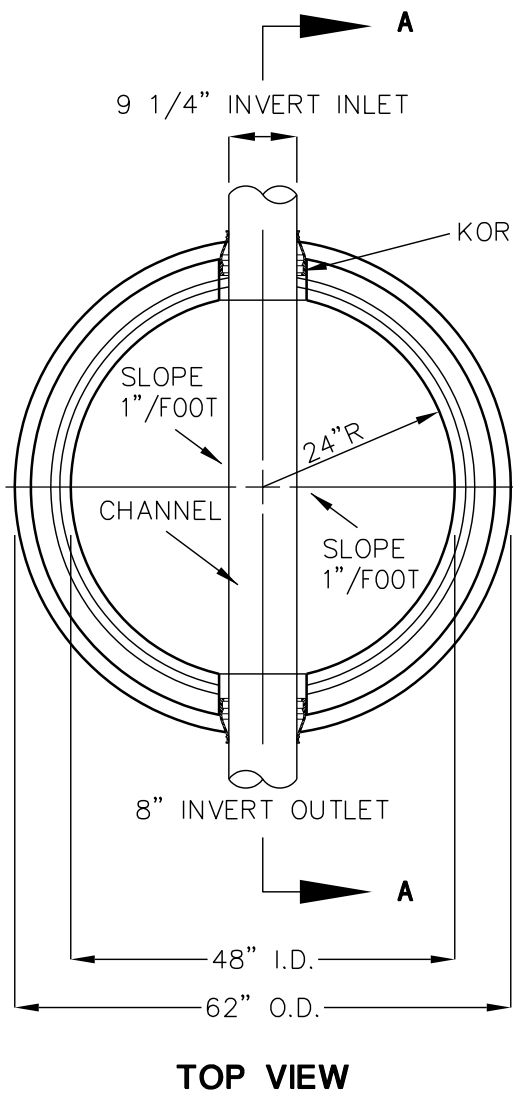


48" I.D., 2 WAY, 180° CHANNEL TYPICAL BASE FOR 8" VITRIFIED CLAY PIPE



CONFORMS TO CURRENT SPECIFICATION
ASTM C-478 AND AASHTO NO. M199.

FLAT TOPS AND BASE SLABS ARE
DESIGNED FOR AASHTO HS-20 WHEEL
LOADING.

MEETS SPECIFICATION ASTM C 923-02,
RESILIENT CONNECTORS BETWEEN
REINFORCED CONCRETE MANHOLE
STRUCTURES, PIPE AND LATERALS

FOR COMPLETE DESIGN
AND PRODUCT INFORMATION
CONTACT JENSEN PRECAST.