

# TYPE GOL CURB INLET

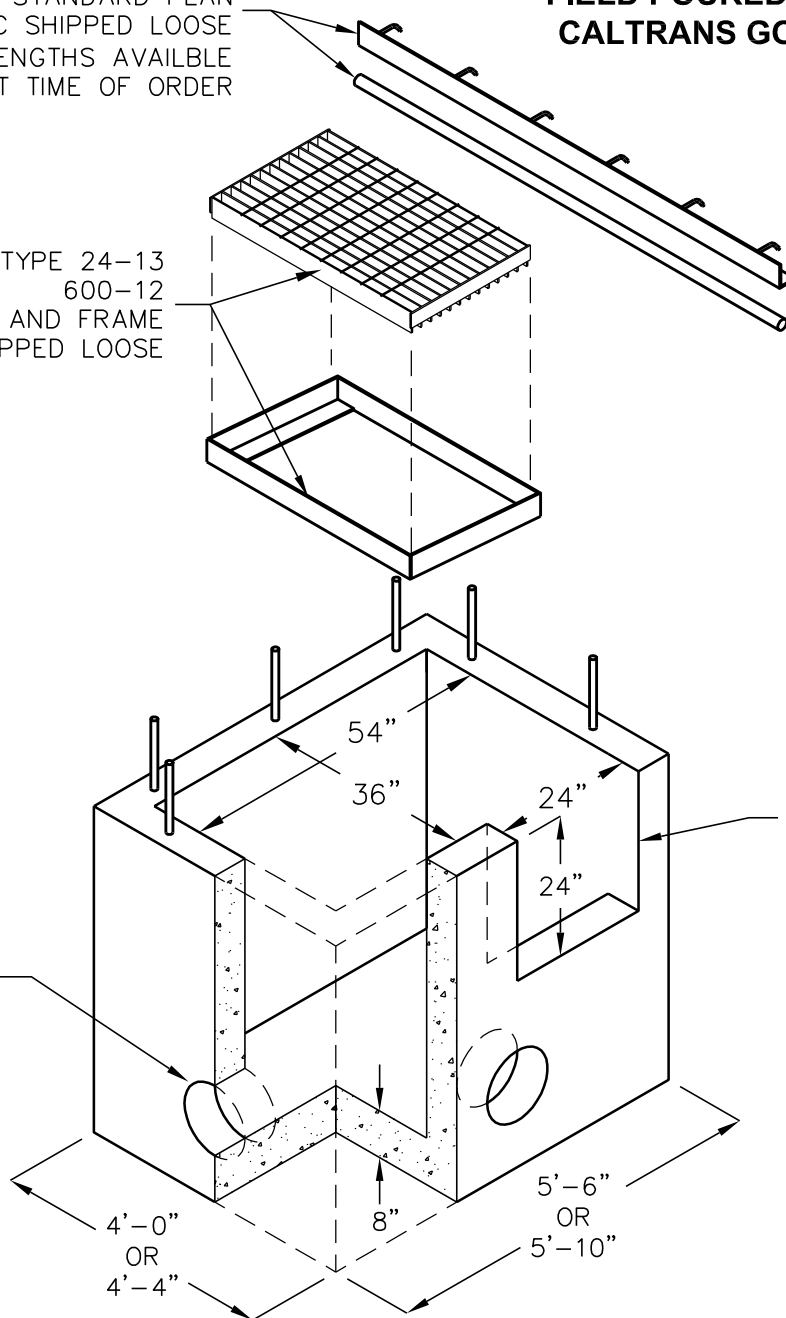
## FIELD POURED CURB AND GUTTER CALTRANS GOL DRAINAGE INLET

FACE ANGLE AND  
3/4" DIA. PROTECTION BAR  
PER STANDARD PLAN  
D74C SHIPPED LOOSE  
7', OR 10' LENGTHS AVAILBLE  
SPECIFY AT TIME OF ORDER

CALTRANS TYPE 24-13  
600-12  
INLET GRATE AND FRAME  
SHIPPED LOOSE

CUSTOM HOLES  
AS REQUIRED

BLOCKOUT FOR  
POUR IN PLACE  
GALLERY OPENING



### NOTES:

- FOR BOX HEIGHT 8'-3" OR LESS WALL THICKNESS IS 6"
- FOR HEIGHTS GREATER THAN 8'-3" WALL THICKNESS IS 8"
- MANHOLE STEPS ARE REQUIRED FOR BOXES OF 30" DEPTH OR GREATER.
- 8" BASE THICKNESS

DESIGN LOAD: H-20 TRAFFIC

FOR COMPLETE DESIGN AND PRODUCT INFORMATION  
CONTACT JENSEN PRECAST.