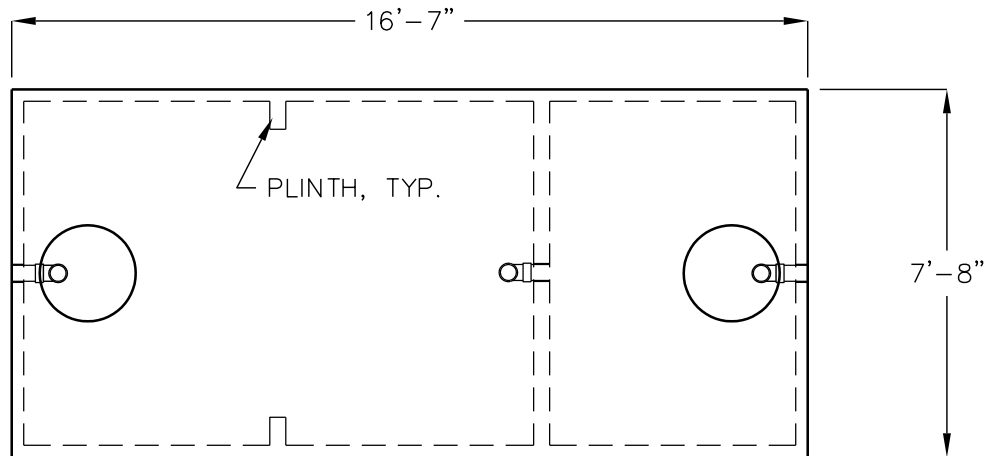
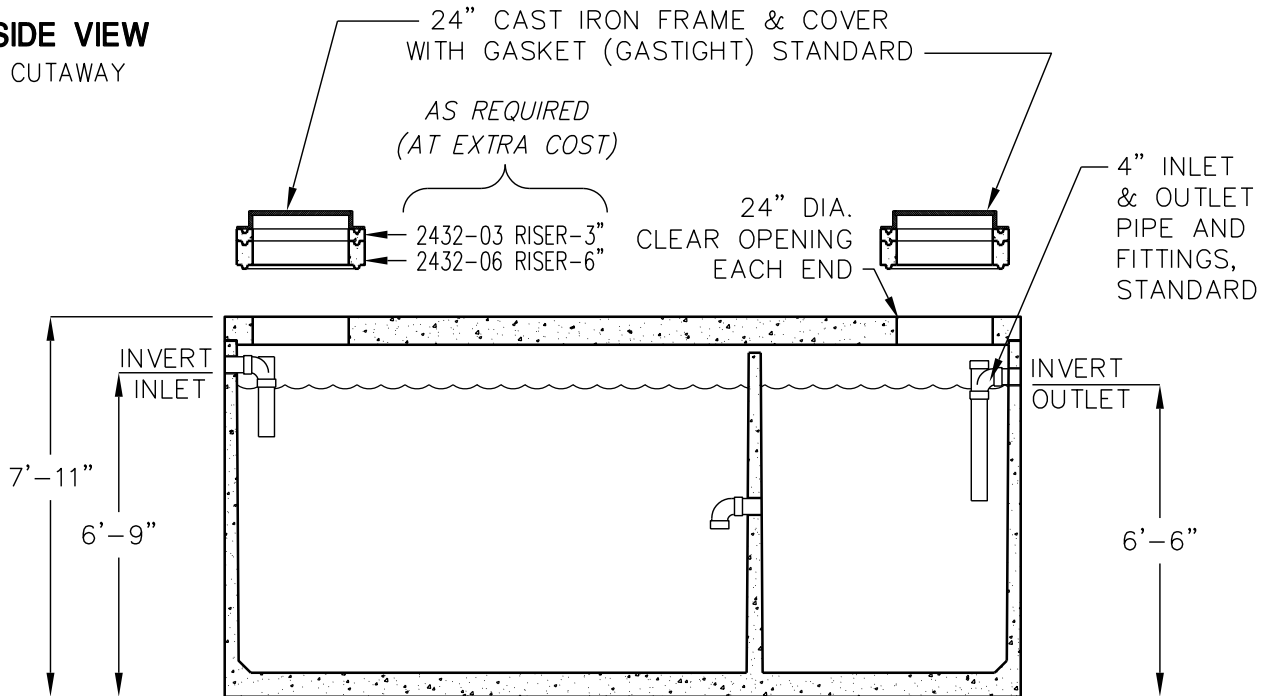


# JZ-5000 GALLON COMMERCIAL SEPTIC TANK

**TRAFFIC RATED  
ACCEPTED BY UPC®**

**SIDE VIEW  
CUTAWAY**



**TOP VIEW  
(COVERS REMOVED)**

LIQUID CAPACITY: 5,000 GALLONS.

BOX DESIGN LOAD: H-20 TRAFFIC FROM  
1' TO 4' OF SOIL COVER.

FOR COMPLETE DESIGN AND PRODUCT  
INFORMATION CONTACT JENSEN PRECAST.