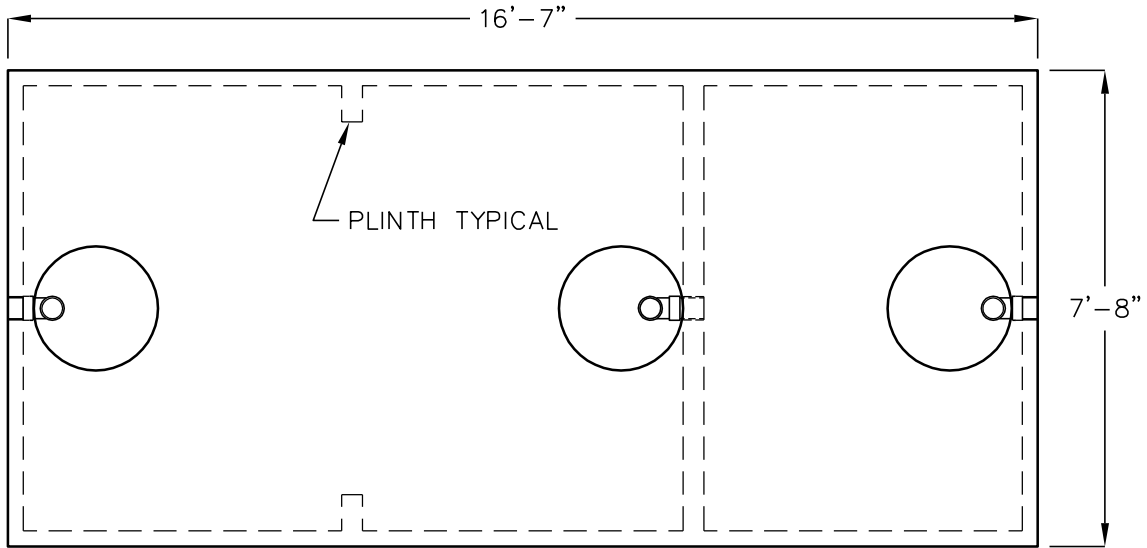
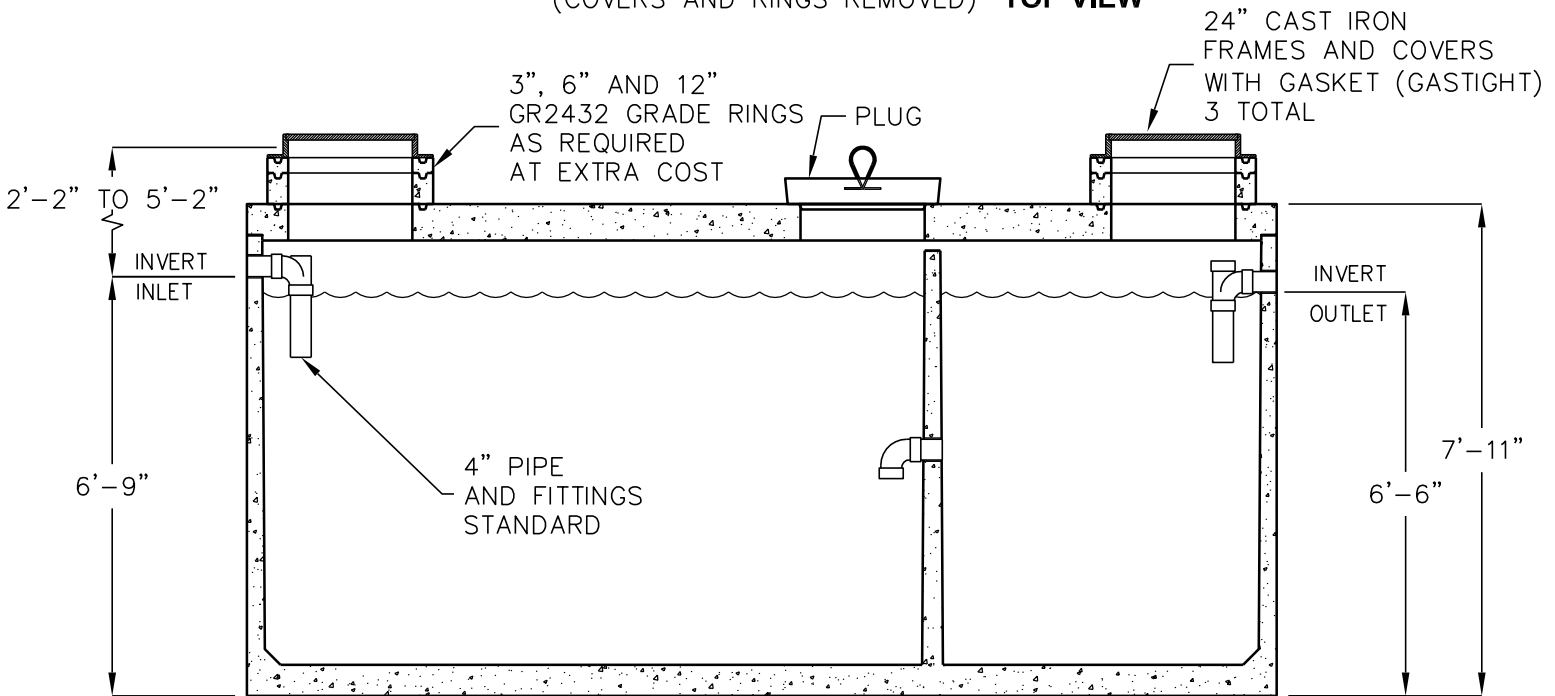


# 5000 GALLON COMMERCIAL SEPTIC TANK

MODEL JZ5000EE-ST  
LISTED BY UPC®



(COVERS AND RINGS REMOVED) **TOP VIEW**



**SIDE SECTION VIEW**

OPERATING CAPACITY: 5,000 GALLONS.

DESIGN LOAD: H-20 TRAFFIC WITH DRY SOIL CONDITIONS (WATER LEVEL BELOW TANK) AND 1'-4' EARTH COVER.

SUITABLE SUB-BASE BEDDED WITH GRANULAR MATERIAL SHALL BE PREPARED TO HANDLE ANTICIPATED LOADS.

FOR COMPLETE DESIGN AND PRODUCT INFORMATION CONTACT JENSEN PRECAST.

MINIMUM EXCAVATION  
8'-8" x 17'-7"  
x REQ'D DEPTH