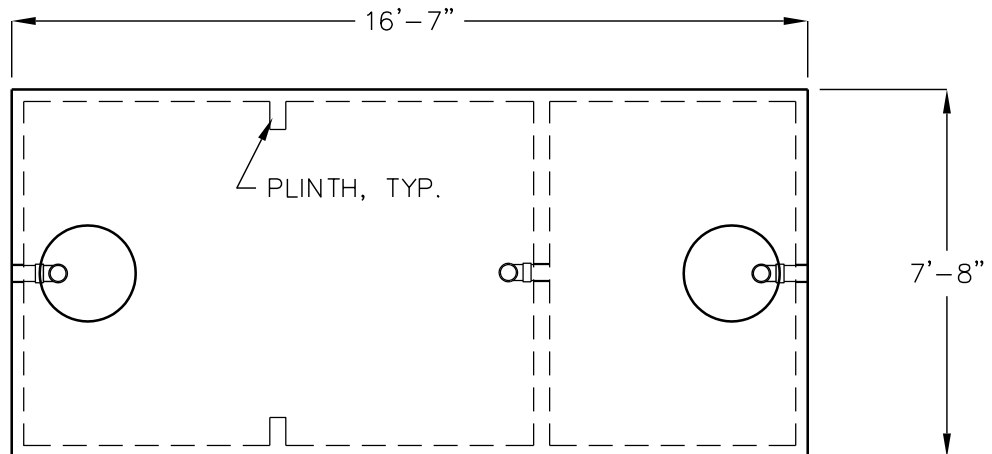
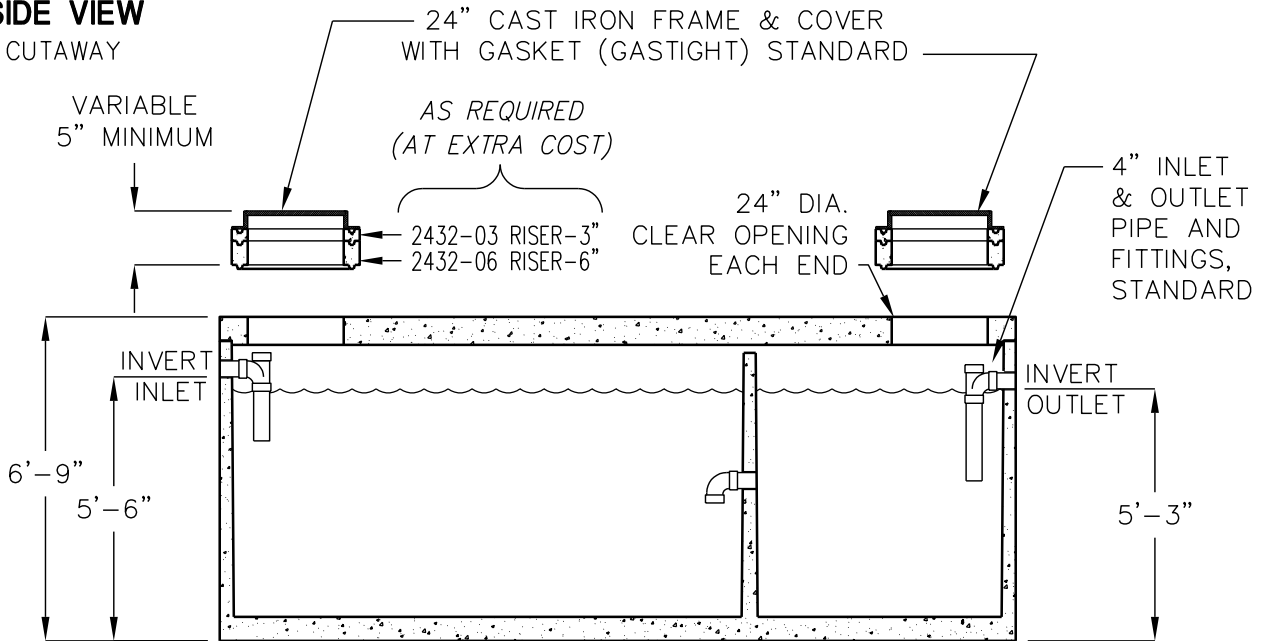


JZ-4000 GALLON COMMERCIAL SEPTIC TANK

**TRAFFIC RATED
ACCEPTED BY UPC®**

**SIDE VIEW
CUTAWAY**



**TOP VIEW
(COVERS REMOVED)**

LIQUID CAPACITY: 4,000 GALLONS.

BOX DESIGN LOAD: H-20 TRAFFIC FROM 1' TO 5' OF SOIL COVER.

FOR COMPLETE DESIGN AND PRODUCT INFORMATION CONTACT JENSEN PRECAST.