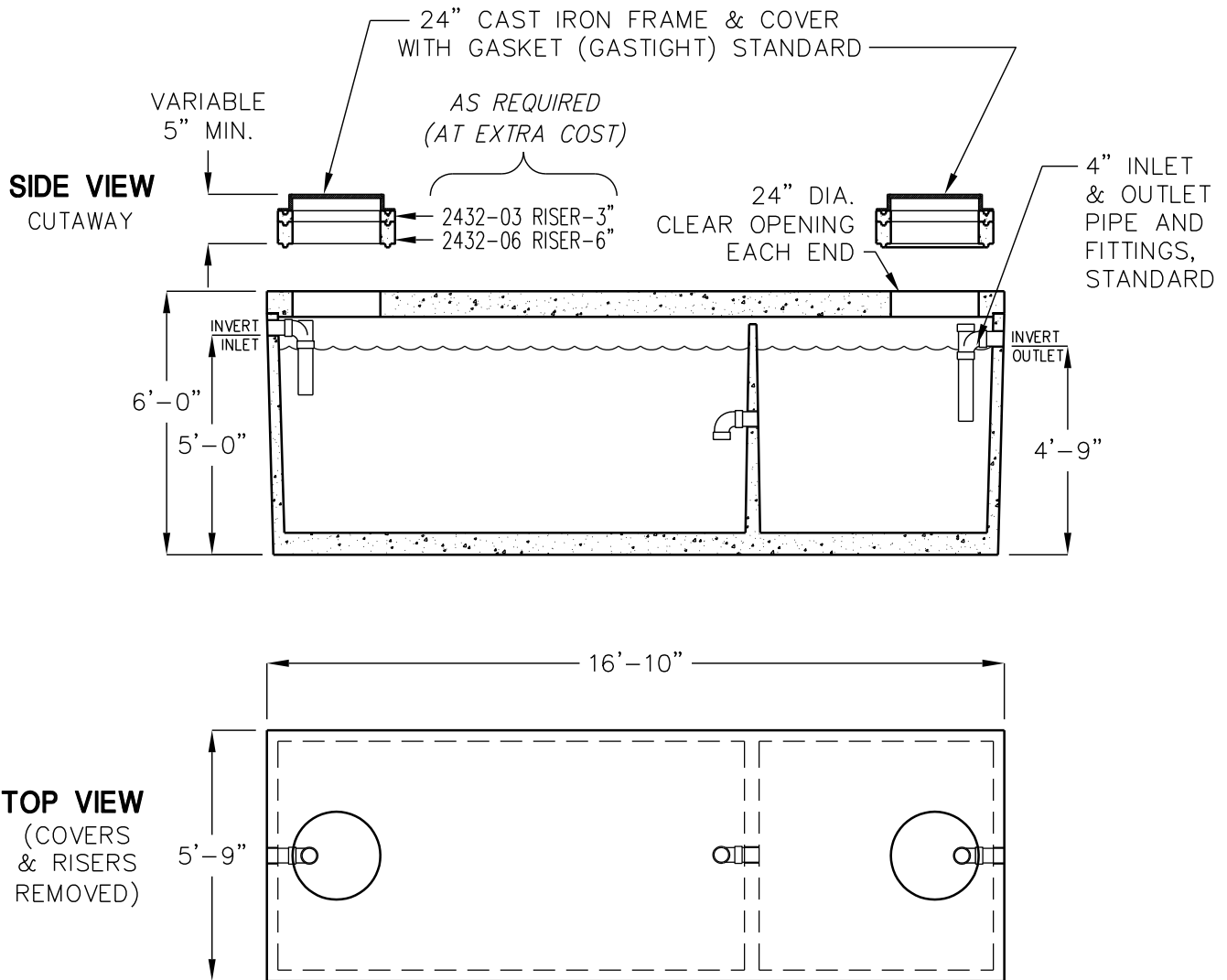


JZ-2500 GALLON COMMERCIAL SEPTIC TANK

**TRAFFIC RATED
ACCEPTED BY UPC®**



LIQUID CAPACITY: 2,500 GALLONS.

BOX DESIGN LOAD: H-20 TRAFFIC FROM 1' TO 5' OF SOIL COVER.

FOR COMPLETE DESIGN AND PRODUCT INFORMATION CONTACT JENSEN PRECAST.