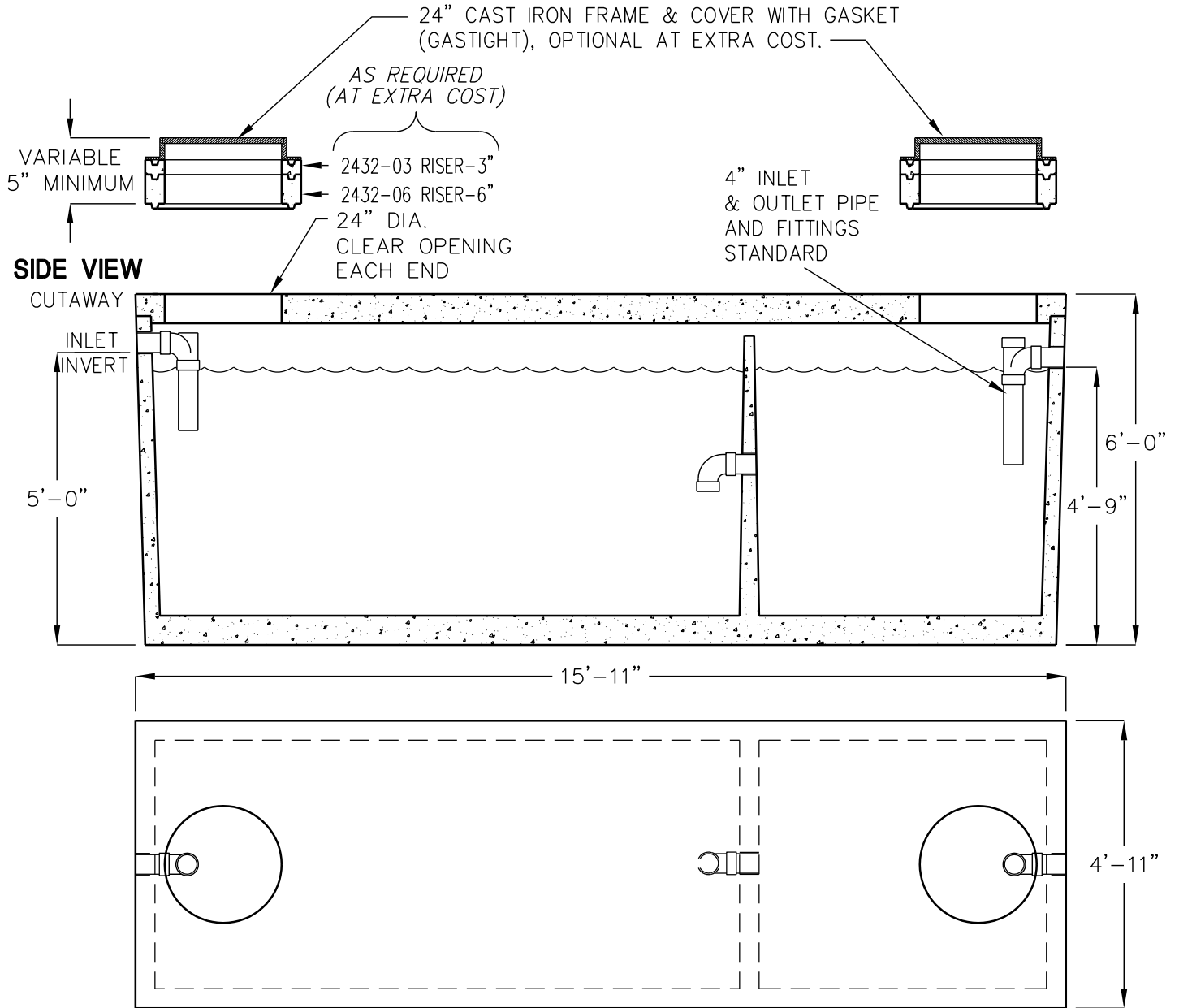


# JP-2000 GALLON COMMERCIAL SEPTIC TANK

TRAFFIC RATED  
ACCEPTED BY UPC®



## TOP VIEW

(COVERS REMOVED)

LIQUID CAPACITY: 2,000 GALLONS.

BOX DESIGN LOAD: H-20 TRAFFIC FROM  
1' TO 6' OF SOIL COVER.

FOR COMPLETE DESIGN AND PRODUCT  
INFORMATION CONTACT JENSEN PRECAST.