

MEETS REQUIREMENTS FOR:
**SACRAMENTO COUNTY
 PUBLIC WORKS AGENCY**
TYPE F DROP INLET

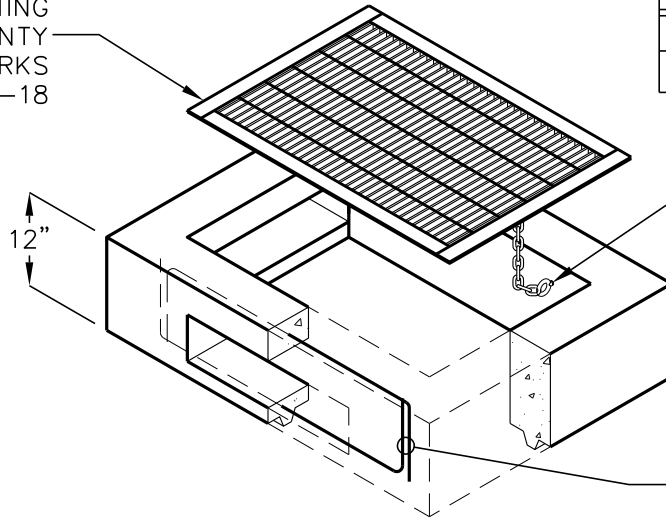
2436-F

24" X 36" DROP INLET SACRAMENTO COUNTY TYPE F

27" x 39"
 GALVANIZED BAR GRATING
 PER SACRAMENTO COUNTY
 DEPARTMENT OF PUBLIC WORKS
 DRAWING 9-18

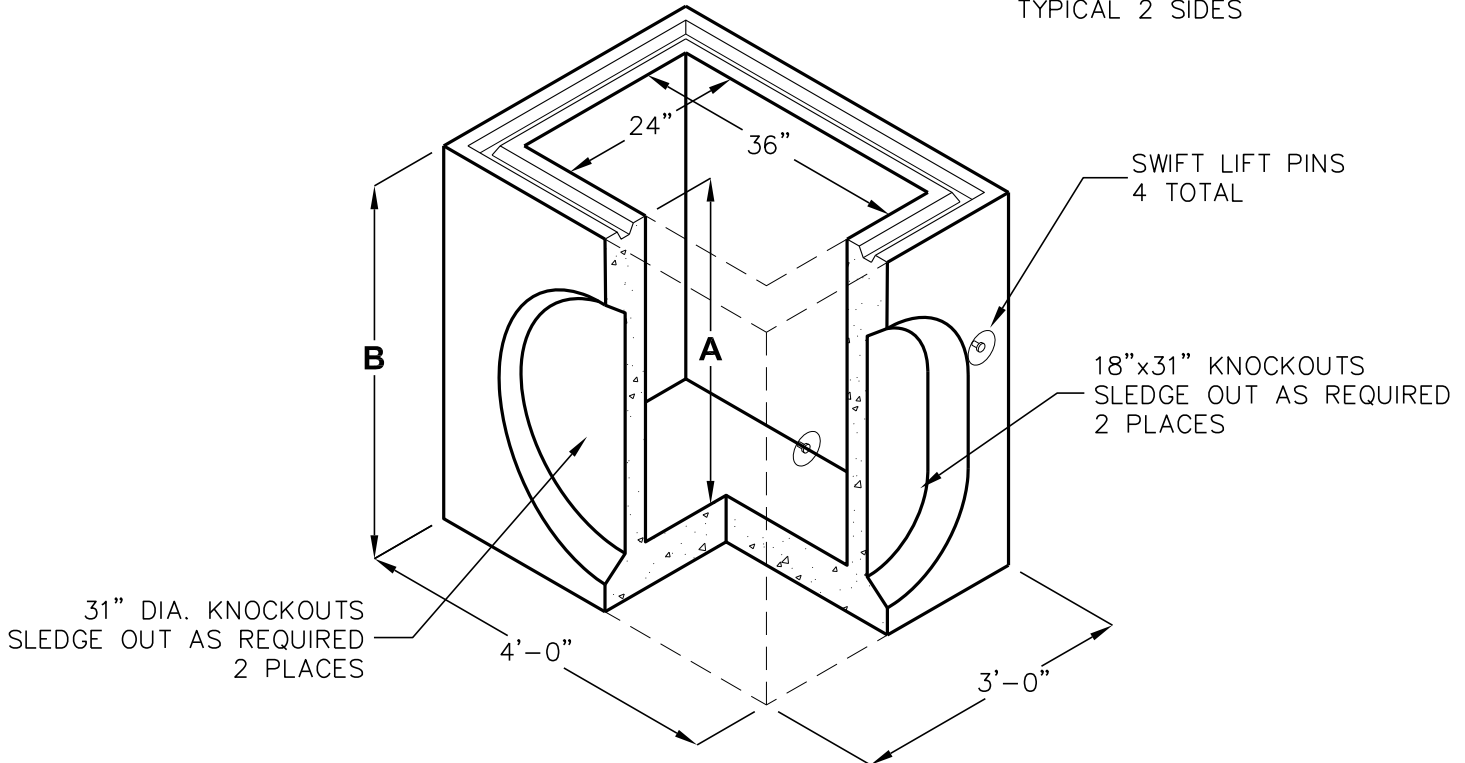
DROP INLET			
MODEL NO.	A	B	* WEIGHT
DI2436-36F	36"	42"	3028 LBS.
DI2436-48F	48"	54"	3889 LBS.

* BOX ONLY



1- $\frac{1}{2}$ " x 6"
 GALVANIZED EYE BOLT
 INSTALLED FOR CHAIN
 CONNECTION PER COUNTY
 OF SACRAMENTO STANDARDS

#4 U-BARS
 OVER AND UNDER
 OPENINGS
 TYPICAL 2 SIDES



SWIFT LIFT PINS
 4 TOTAL

18" x 31" KNOCKOUTS
 SLEDGE OUT AS REQUIRED
 2 PLACES

31" DIA. KNOCKOUTS
 SLEDGE OUT AS REQUIRED
 2 PLACES

FOR COMPLETE DESIGN AND PRODUCT INFORMATION
 CONTACT JENSEN PRECAST.

Jensen Precast reserves the right to make changes to product design
 and/or dimensions without notice. Please contact Jensen Precast whenever
 necessary for confirmation or advice on product design.

