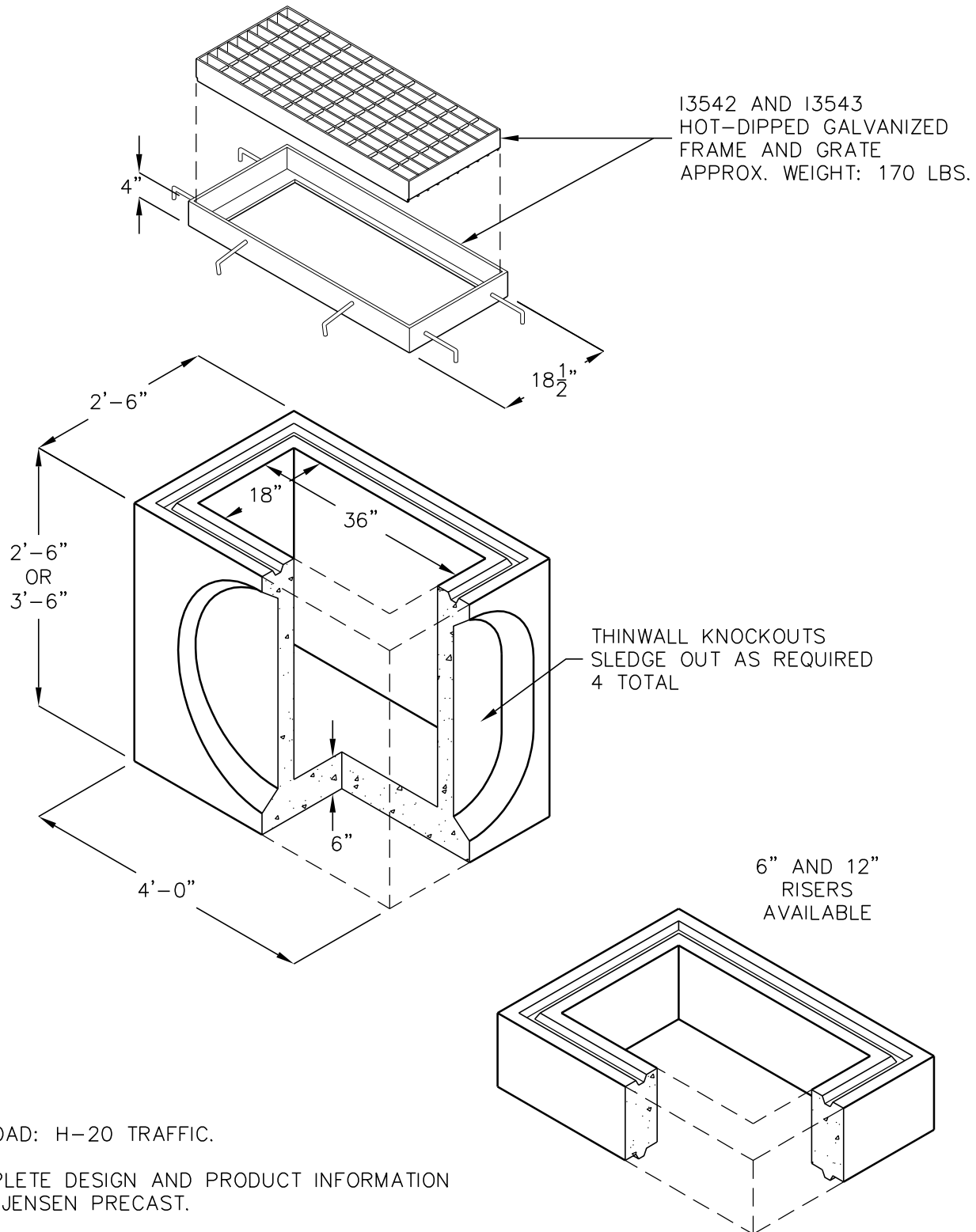


DROP INLET 1836-C

MEETS REQUIREMENTS FOR:
**SACRAMENTO COUNTY
PUBLIC WORKS AGENCY**
TYPE C DROP INLET

18" X 36" I.D.
(NOMINAL DIMENSIONS)

FABRICATED FRAME AND GRATE



DESIGN LOAD: H-20 TRAFFIC.

FOR COMPLETE DESIGN AND PRODUCT INFORMATION
CONTACT JENSEN PRECAST.