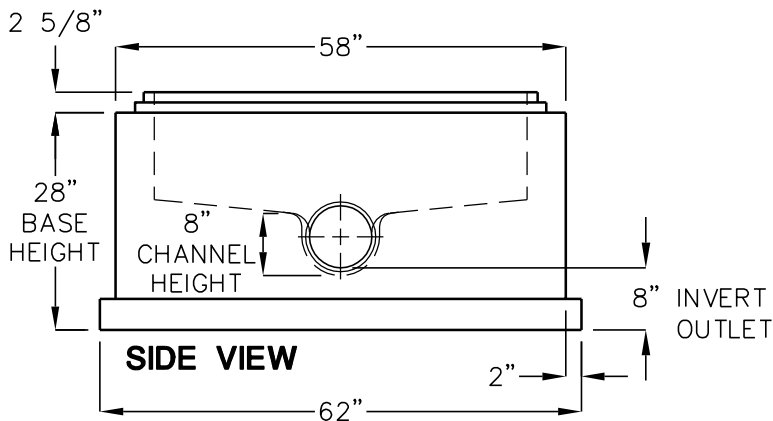
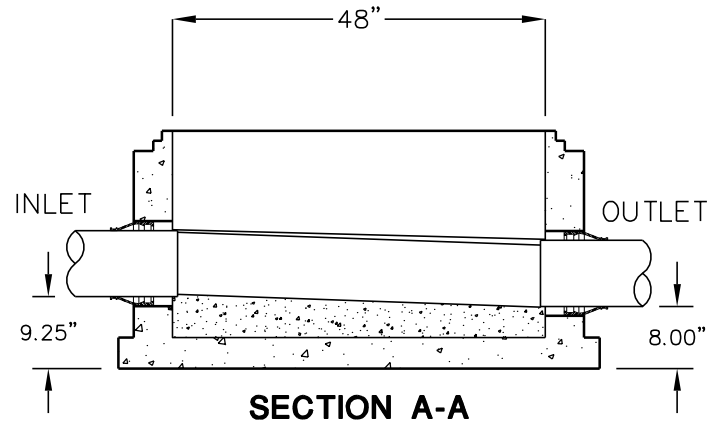
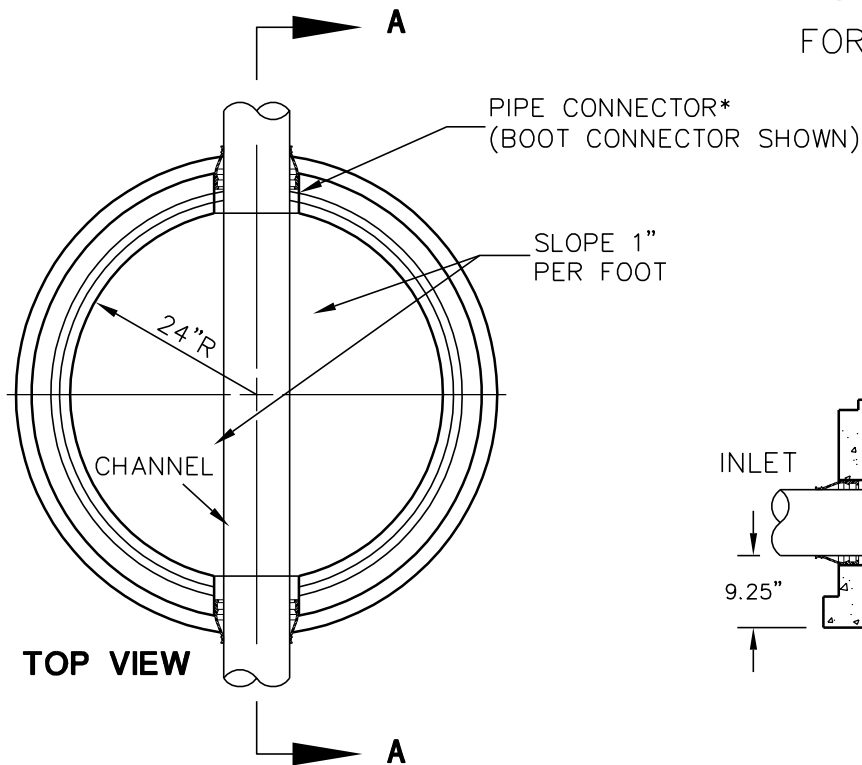


48" I.D. MANHOLE BASE

2 WAY 180 DEGREE
SACRAMENTO COUNTY

FOR 8" PVC OR VC PIPE



MEETS REQUIREMENTS FOR
SACRAMENTO COUNTY PUBLIC WORKS AGENCY
STANDARD 48" DIAMETER SEWER MANHOLE

CONFORMS TO CURRENT SPECIFICATION ASTM C 478 AND AASHTO NO. M199.

DESIGN LOAD: H-20 TRAFFIC

*FOR PVC PIPE, A FLEXIBLE RESILIENT CONNECTOR PER ASTM C 923 IS USED.

*FOR VITRIFIED CLAY PIPE, A FLEXIBLE RESILIENT CONNECTOR PER ASTM C 923
OR VC HUB PER ASTM C 700 IS USED.

FOR COMPLETE DESIGN AND PRODUCT INFORMATION
CONTACT JENSEN PRECAST.