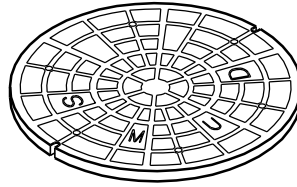
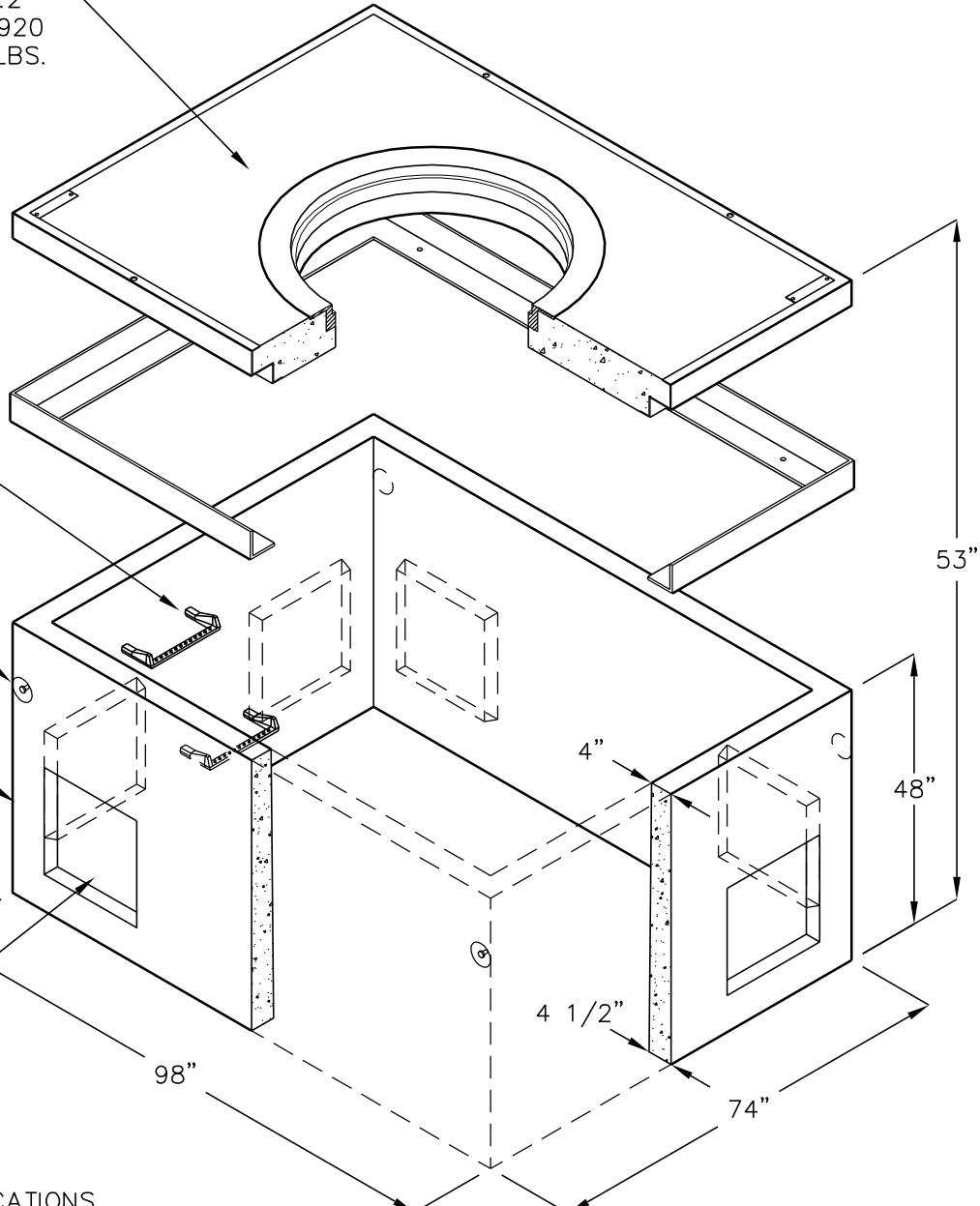


SMUD 6690

SACRAMENTO MUNICIPAL UTILITY DIST.
6'-2" WD. x 8'-2" LG. x 4'-0" H.
CONCRETE BOX HANDHOLE



FULL TRAFFIC BOX COVER
 SMUD DRAWING UVC 1.6.2
 SMUD STOCK CODE 056920
 APPROX. WEIGHT 5800 LBS.



STEP RUNGS
 2 TOTAL

LIFTING ANCHORS
 4 TYP.

MODEL NO. 6690-S-NB
 SMUD DRAWING UVC 1.6
 SMUD STOCK CODE 047406
 APPROX. WEIGHT 5772 LBS.

18" X 18" THINWALL
 KNOCKOUT
 2 EACH WALL
 8 TOTAL

MEETS CURRENT SMUD SPECIFICATIONS.

FOR COMPLETE DESIGN AND PRODUCT INFORMATION
 CONTACT JENSEN PRECAST.