

4686 PG&E

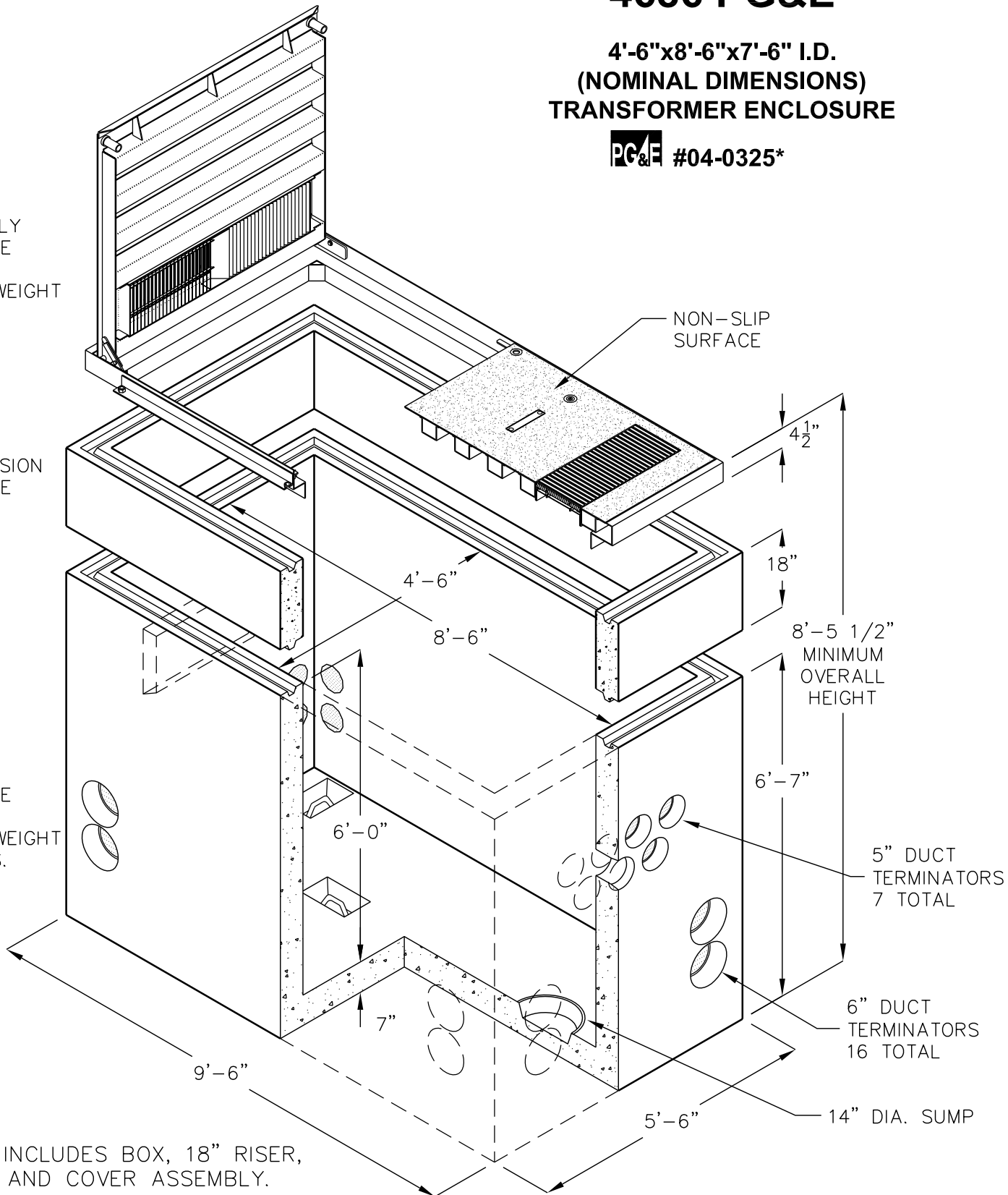
4'-6"x8'-6"x7'-6" I.D.
(NOMINAL DIMENSIONS)
TRANSFORMER ENCLOSURE

 #04-0325*

COVER ONLY
PG&E CODE
03-1830
APPROX. WEIGHT
1420 LBS.

18" EXTENSION
PG&E CODE
04-3377

BOX ONLY
PG&E CODE
04-3376
APPROX. WEIGHT
17300 LBS.



*CODE INCLUDES BOX, 18" RISER,
FRAME AND COVER ASSEMBLY.

DUCT TERMINATOR SIZE AND LOCATION, KNOCKOUTS, PULLING
IRONS, ETC. PER CURRENT PG&E SPECIFICATIONS.

FOR COMPLETE DESIGN AND PRODUCT INFORMATION
CONTACT JENSEN PRECAST.