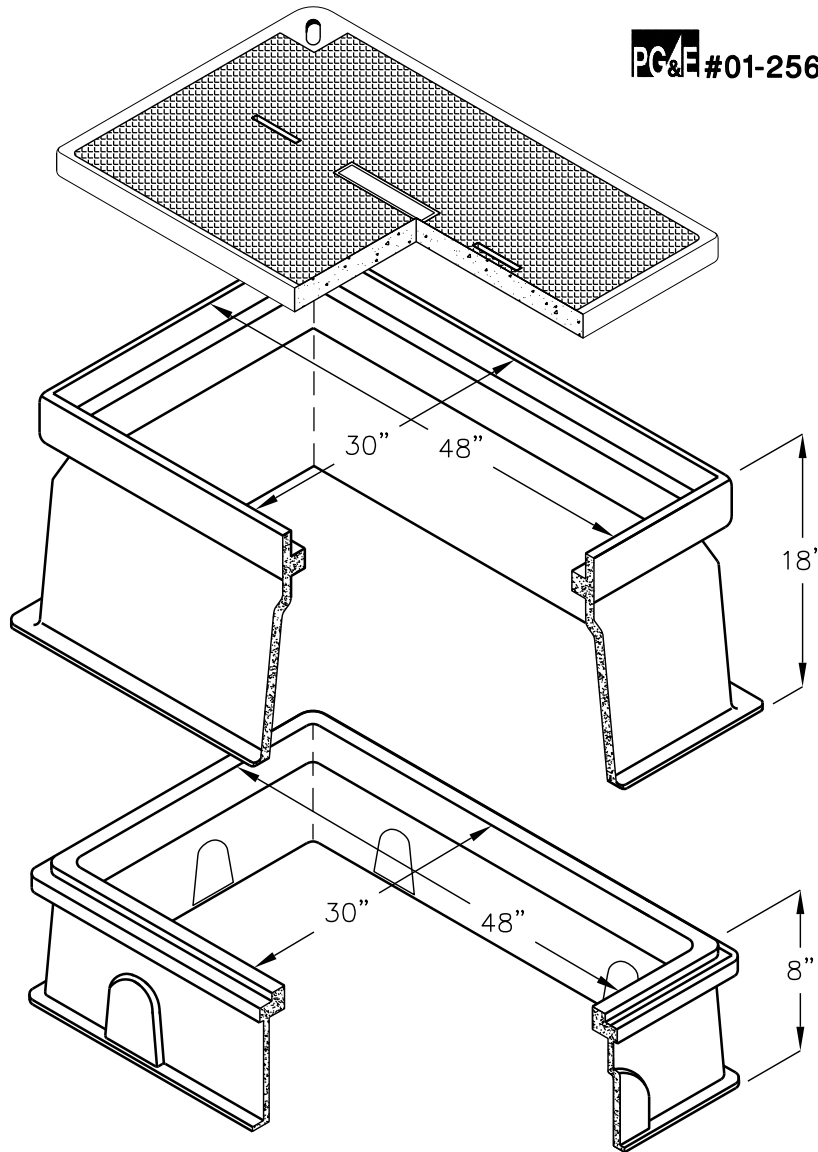


PG&E APPROVED. POLYMER CONCRETE FRAME AND NON-SKID COVER FOR STRENGTH. "FRP" FIBERGLASS REINFORCED BODY FOR LIGHT WEIGHT. FLARED AT BASE TO PROVIDE ADDITIONAL WORK SPACE. MEETS ALL REQUIREMENTS OF W.U.C. 3.6 10K "PARKWAY" LOAD RATED.

30X48 HANDHOLE NON-CONCRETE

30" x 48" x 26 "
(INSIDE DIMENSIONS)

PG&E #01-2563



NOMINAL DIMENSIONS	PG&E CODE NO.	DESCRIPTION	APPROX. WT. (LBS.)
30"X48"X18"	01-2562	BOX & COVER ASSEMBLY	219
30"X48"X26"	01-2563	BOX, COVER & 8" EXT.	276
30"X48"X8"	04-3558	8" EXTENSION	57
30"X48"X16"	04-3727	16" EXTENSIONS	75