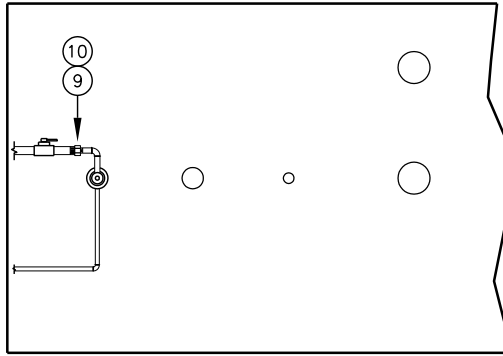
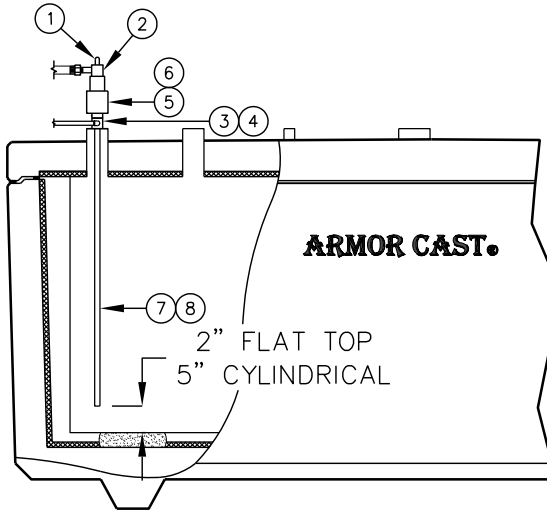


ARMOR CAST®

BACK UP GENERATOR PACKAGE WEIGHTS AND MEASURES



PLAN VIEW



**ELEVATION
(CUTAWAY)**

PACKAGE NO.
FK-DGEN-10
FK-DGEN-15

NO.	DESCRIPTION		
1	1" ANTI-SIPHON VALVE	•	
2	1 1/2" ANTI-SIPHON VALVE		•
3	2" x 2" x 1" TEE	•	
4	2" x 2" x 1 1/2" TEE		•
5	2" x 2" x 1" TEE	•	
6	2" x 1" DOUBLE TAP		•
7	1" SUCTION TUBE	•	
8	1 1/2" SUCTION TUBE		•
9	1" BALL VALVE	•	
10	1 1/2" BALL VALVE		•

FOR COMPLETE DESIGN
AND PRODUCT INFORMATION
CONTACT JENSEN PRECAST.