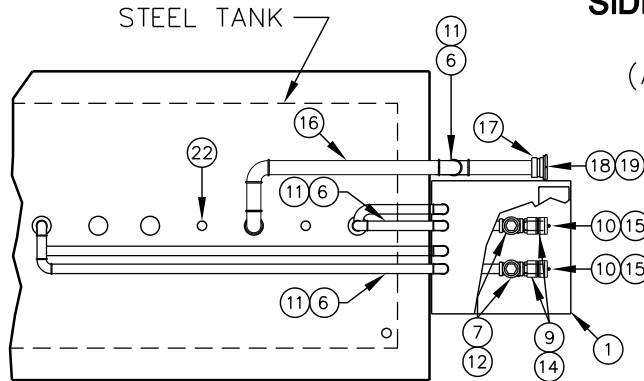


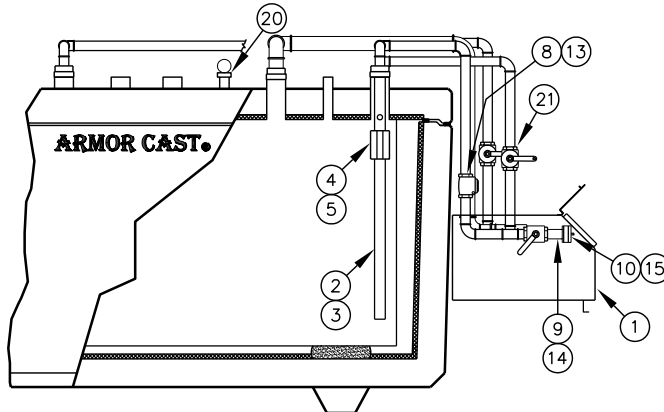
# AST FILLPACK NO. 6

## SPLIT TANK APPLICATION, SIDE MOUNT FILL / SPILL CONTAINMENT

(AVAILABLE IN STAINLESS  
OR PAINTED STEEL)



**PLAN VIEW**



**ELEVATION  
(CUTAWAY)**

PACKAGE NO.
FKFILL-DG2-R
FKFILL-DG3-R
FKFILL-DG2-RA
FKFILL-DG3-RA

1. SIDE MOUNT FILL – REGULAR SPEED.

2. SIDE MOUNT FILL – HIGH SPEED.

3. SIDE MOUNT FILL – REGULAR SPEED WITH STAGE-I VAPOR RECOVERY CONNECTION.

4. SIDE MOUNT FILL – HIGH SPEED WITH STAGE-I VAPOR RECOVERY CONNECTION.

5. GAUGE STICK WITH CONVERSION CHART.

FOR COMPLETE DESIGN AND PRODUCT INFORMATION, CONTACT JENSEN PRECAST.

NO.	DESCRIPTION				
1	SIDE MOUNTED SPILL CONTAINER WITH 2 FLEXIBLE BOOT CONNECTIONS	•	•	•	•
2	2" DIA. DROP TUBE WITH 1/8" (MIN.) HOLE @ TOP	2		2	
3	3" DIA. DROP TUBE WITH 1/8" (MIN.) HOLE @ TOP		2		2
4	2" DIA. AST OVERFILL PREVENTION VALVE	2		2	
5	3" DIA. AST HIGH SPEED OVERFILL PREVENTION VALVE		2		2
6	2" DIA. SUPPLY PIPING	2		2	
7	2" DIA. SWING CHECK VALVE	2		2	
8	2" DIA. BALL VALVE	2		2	
9	2" DIA. ALUMINUM QUICK CONNECT ADAPTER	2		2	
10	2" DIA. ALUMINUM DUST CAP	2		2	
11	3" DIA. SUPPLY PIPING (SCH. 40)		2		2
12	3" DIA. SWING CHECK VALVE		2		2
13	3" DIA. BALL VALVE		2		2
14	3" DIA. ALUMINUM QUICK CONNECT ADAPTER		2		2
15	3" DIA. ALUMINUM DUST CAP		2		2
16	2" DIA. VAPOR RECOVERY PIPING	•	•	•	•
17	VAPOR RECOVERY ADAPTER (3" ADAPTER x 3" NPT)	•	•	•	•
18	3" DIA. VAPOR RECOVERY CAP (ORANGE)	•	•	•	•
19	2' x 3" REDUCER BUSHING	•	•	•	•
20	MORRISON CLOCK GAUGE	•	•	•	•
21	HAND PUMP		2		2
22	2" STICK PORT	•	•	•	•