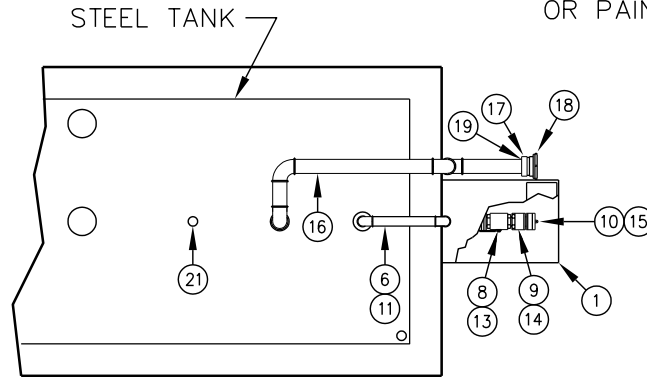


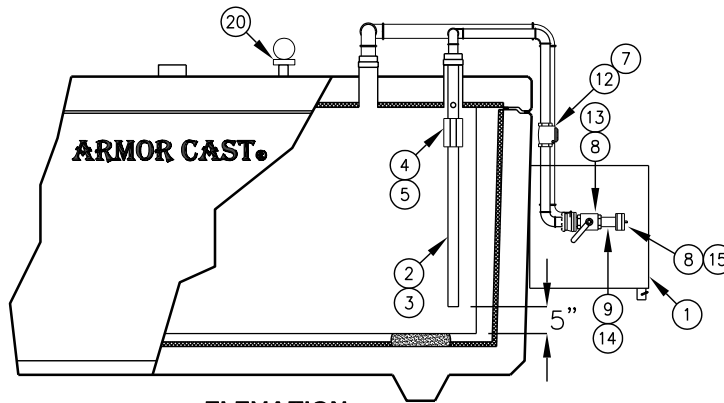
AST FILLPACK NO. 4

STANDARD SIDE MOUNT FILL / SPILL CONTAINMENT

(AVAILABLE IN STAINLESS
OR PAINTED STEEL)



PLAN VIEW



ELEVATION
(CUTAWAY)

PACKAGE NO.
FKFILL-D2-R
FKFILL-D3-R
FKFILL-G2-R
FKFILL-G3-R

1. SIDE MOUNT FILL – REGULAR SPEED.
2. SIDE MOUNT FILL – HIGH SPEED.
3. SIDE MOUNT FILL – REGULAR SPEED WITH STAGE-I VAPOR RECOVERY CONNECTION.
4. SIDE MOUNT FILL – HIGH SPEED WITH STAGE-I VAPOR RECOVERY CONNECTION.
5. GAUGE STICK WITH CONVERSION CHART.

FOR COMPLETE DESIGN AND PRODUCT INFORMATION, CONTACT JENSEN PRECAST.

| NO. | DESCRIPTION | | | | |
|-----|---|---|---|---|---|
| 1 | 15 GALLON SIDE MOUNTED FILL BOX | • | • | • | • |
| 2 | 2" DIA. DROP TUBE WITH 1/8" (MIN.) HOLE @ TOP | • | • | • | • |
| 3 | 3" DIA. DROP TUBE WITH 1/8" (MIN.) HOLE @ TOP | • | • | • | • |
| 4 | 2" AST OVERFILL PREVENTION VALVE | • | • | • | • |
| 5 | 3" AST HIGH SPEED OVERFILL PREVENTION VALVE | • | • | • | • |
| 6 | 2" DIA. SUPPLY PIPING (SCH. 40, GALVANIZED) | • | • | • | • |
| 7 | 2" DIA. SWING CHECK VALVE | • | • | • | • |
| 8 | 2" DIA. BALL VALVE | • | • | • | • |
| 9 | 2" DIA. ALUMINUM QUICK CONNECT ADAPTER | • | • | • | • |
| 10 | 2" DIA. ALUMINUM DUST CAP | • | • | • | • |
| 11 | 3" DIA. SUPPLY PIPING (SCH. 40, GALVANIZED) | • | • | • | • |
| 12 | 3" DIA. SWING CHECK VALVE | • | • | • | • |
| 13 | 3" DIA. BALL VALVE | • | • | • | • |
| 14 | 3" DIA. ALUMINUM QUICK CONNECT ADAPTER | • | • | • | • |
| 15 | 3" DIA. ALUMINUM DUST CAP | • | • | • | • |
| 16 | 2" DIA. VAPOR RECOVERY PIPING (SCH. 40, GALVANIZED) | • | • | • | • |
| 17 | VAPOR RECOVERY ADAPTER (3" ADAPTER x 3" NPT) | • | • | • | • |
| 18 | 3" DIA. VAPOR RECOVERY CAP (ORANGE) | • | • | • | • |
| 19 | 2x3 REDUCER BUSHING | • | • | • | • |
| 20 | MORRISON CLOCK GAUGE | • | • | • | • |
| 21 | 2" STICK PORT | • | • | • | • |