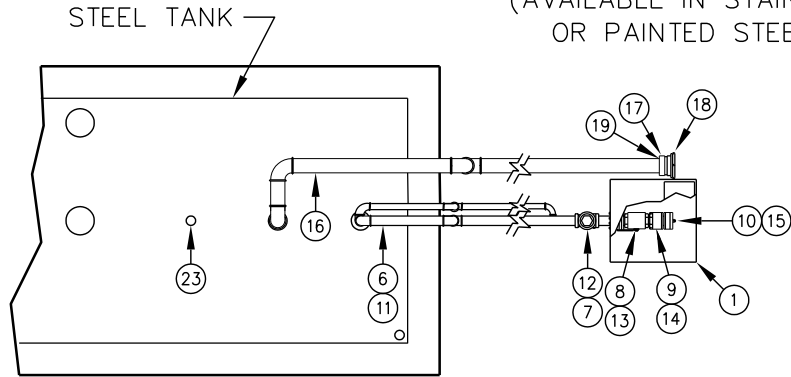


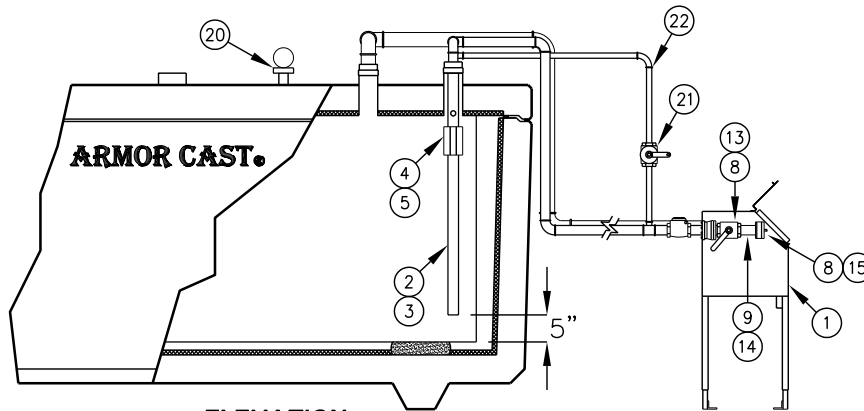
# AST FILLPACK NO. 3

## PREMIUM GROUND LEVEL FILL / SPILL CONTAINMENT

(AVAILABLE IN STAINLESS  
OR PAINTED STEEL)



**PLAN VIEW**



**ELEVATION  
(CUTAWAY)**

**PACKAGE NO.**  
FKFILL-D2-RA  
FKFILL-D3-RA  
FKFILL-G2-RA  
FKFILL-G3-RA

1. GROUND LEVEL FILL – REGULAR SPEED.
2. GROUND LEVEL FILL – HIGH SPEED.
3. GROUND LEVEL FILL – REGULAR SPEED WITH STAGE-I VAPOR RECOVERY CONNECTION.
4. GROUND LEVEL FILL – HIGH SPEED WITH STAGE-I VAPOR RECOVERY CONNECTION.
5. GAUGE STICK WITH CONVERSION CHART

FOR COMPLETE DESIGN AND PRODUCT INFORMATION, CONTACT JENSEN PRECAST.

NO.	DESCRIPTION				
1	GROUND LEVEL SPILL CONTAINER W/ FLEXIBLE BOOT CONNECTION	•	•	•	•
2	2" DIA. DROP TUBE WITH 1/8" (MIN.) HOLE @ TOP	•	•		
3	3" DIA. DROP TUBE WITH 1/8" (MIN.) HOLE @ TOP	•	•		
4	2" AST OVERFILL PREVENTION VALVE	•	•		
5	3" AST HIGH SPEED OVERFILL PREVENTION VALVE	•	•		
6	2" DIA. SUPPLY PIPING (SCH. 40, GALVANIZED)	•	•		
7	2" DIA. SWING CHECK VALVE	•	•		
8	2" DIA. BALL VALVE	•	•		
9	2" DIA. ALUMINUM QUICK CONNECT ADAPTER	•	•		
10	2" DIA. ALUMINUM DUST CAP	•	•		
11	3" DIA. SUPPLY PIPING (SCH. 40, GALVANIZED)		•	•	
12	3" DIA. SWING CHECK VALVE		•	•	
13	3" DIA. BALL VALVE		•	•	
14	3" DIA. ALUMINUM QUICK CONNECT ADAPTER		•	•	
15	3" DIA. ALUMINUM DUST CAP		•	•	
16	2" DIA. VAPOR RECOVERY PIPING (SCH. 40, GALVANIZED)			•	•
17	VAPOR RECOVERY ADAPTER (3" ADAPTER x 3" NPT)			•	•
18	3" DIA. VAPOR RECOVERY CAP (ORANGE)			•	•
19	2x3 REDUCER BUSHING	•	•	•	•
20	MORRISON CLOCK GAUGE	•	•	•	•
21	HAND PUMP AND PIPING	•	•	•	•
22	3/4" OR 1" PIPING AVAILABLE	•	•	•	•
23	2" STICK PORT	•	•	•	•