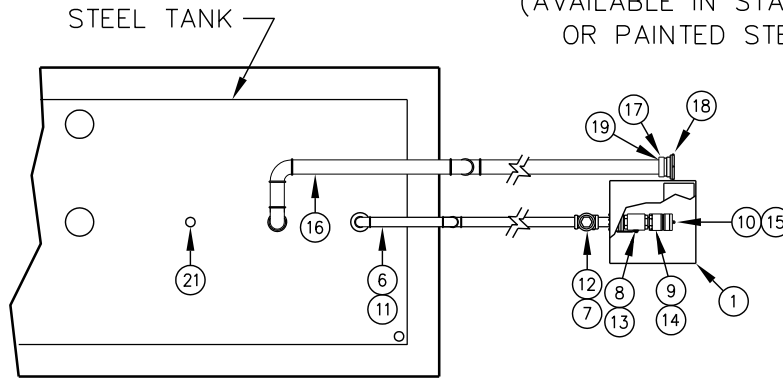


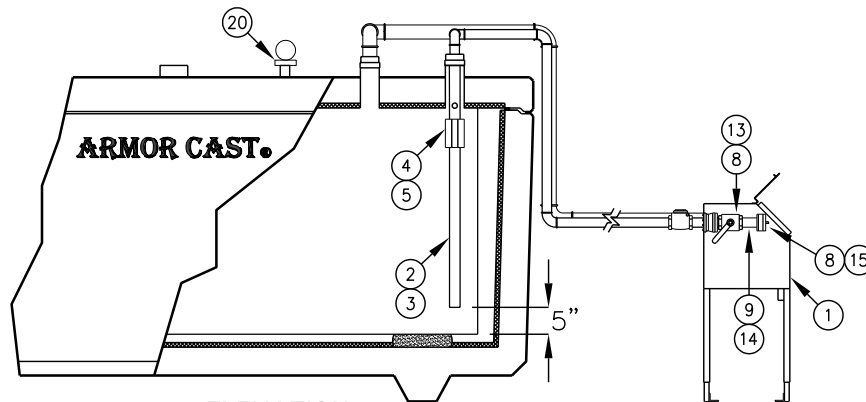
AST FILLPACK NO. 2

STANDARD GROUND LEVEL FILL / SPILL CONTAINMENT

(AVAILABLE IN STAINLESS
OR PAINTED STEEL)



PLAN VIEW



**ELEVATION
(CUTAWAY)**

1. GROUND LEVEL FILL – REGULAR SPEED.
2. GROUND LEVEL FILL – HIGH SPEED.
3. GROUND LEVEL FILL – REGULAR SPEED WITH STAGE-I VAPOR RECOVERY CONNECTION.
4. GROUND LEVEL FILL – HIGH SPEED WITH STAGE-I VAPOR RECOVERY CONNECTION.
5. GAUGE STICK WITH CONVERSION CHART

FOR COMPLETE DESIGN AND PRODUCT INFORMATION, CONTACT JENSEN PRECAST.

NO.	DESCRIPTION	PK	PK	PK	PK
1	GROUND LEVEL SPILL CONTAINER W/ FLEXIBLE BOOT CONNECTION	•	•	•	•
2	2" DIA. DROP TUBE WITH 1/8" (MIN.) HOLE @ TOP	•	•		
3	3" DIA. DROP TUBE WITH 1/8" (MIN.) HOLE @ TOP		•	•	
4	2" AST OVERFILL PREVENTION VALVE	•	•		
5	3" AST HIGH SPEED OVERFILL PREVENTION VALVE		•	•	
6	2" DIA. SUPPLY PIPING (SCH. 40, GALVANIZED)			•	
7	2" DIA. SWING CHECK VALVE	•	•		
8	2" DIA. BALL VALVE	•	•		
9	2" DIA. ALUMINUM QUICK CONNECT ADAPTER	•	•		
10	2" DIA. ALUMINUM DUST CAP	•	•		
11	3" DIA. SUPPLY PIPING (SCH. 40, GALVANIZED)		•	•	
12	3" DIA. SWING CHECK VALVE		•	•	
13	3" DIA. BALL VALVE		•	•	
14	3" DIA. ALUMINUM QUICK CONNECT ADAPTER		•	•	
15	3" DIA. ALUMINUM DUST CAP		•	•	
16	2" DIA. VAPOR RECOVERY PIPING (SCH. 40, GALVANIZED)			•	
17	VAPOR RECOVERY ADAPTER (3" ADAPTER x 3" NPT)			•	
18	3" DIA. VAPOR RECOVERY CAP (ORANGE)			•	
19	2x3 REDUCER BUSHING	•	•	•	
20	MORRISON CLOCK GAUGE	•	•	•	
21	2" DIA. STICK PORT	•	•	•	

PACKAGE NO.
FKFILL-D2-R
FKFILL-D3-R
FKFILL-G2-R
FKFILL-G3-R