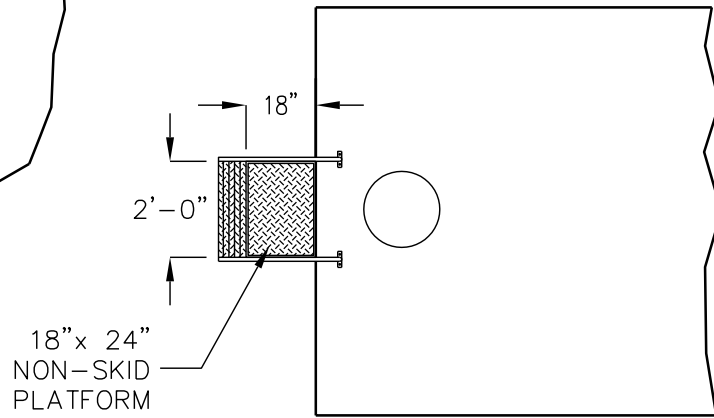
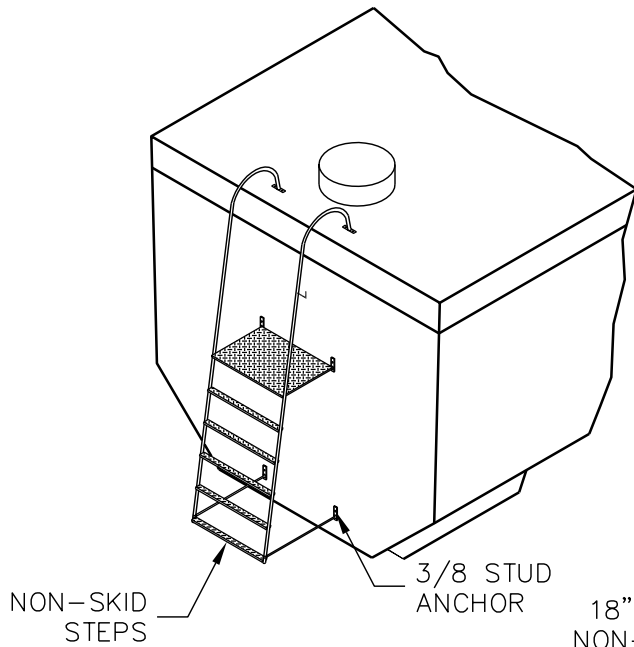
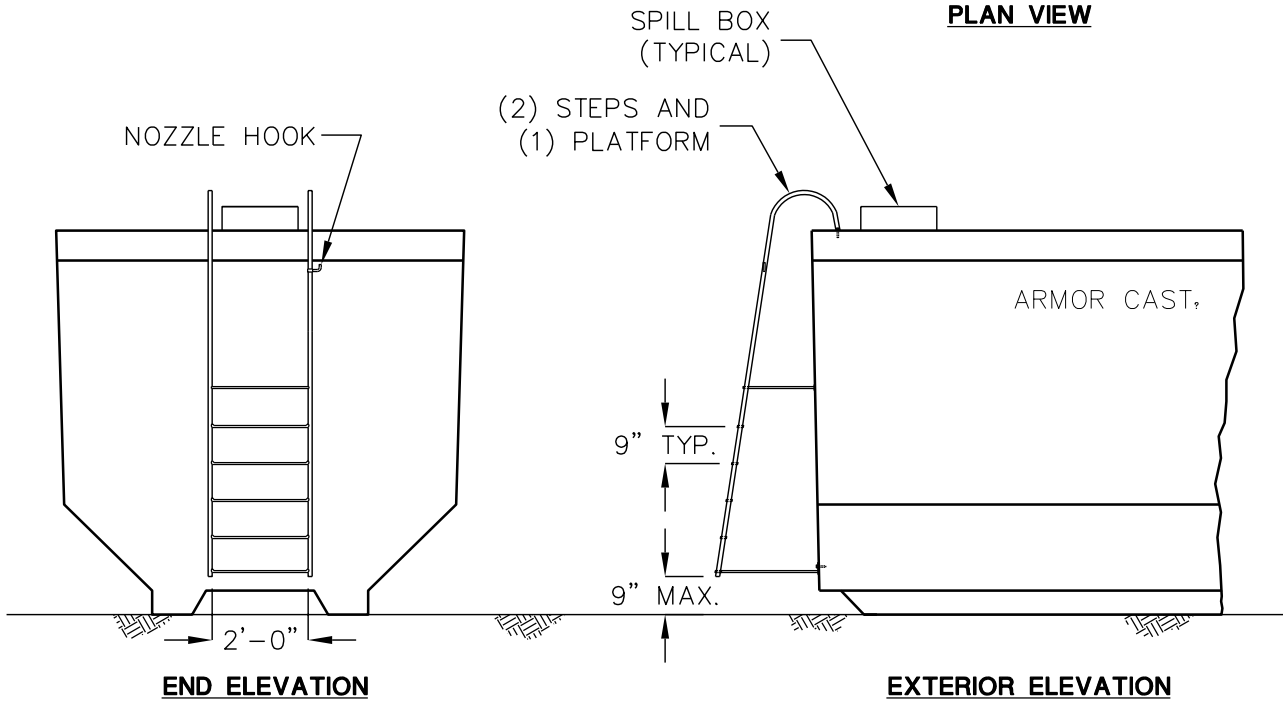


# LADDER WITH PLATFORM



**PLAN VIEW**



**END ELEVATION**

**EXTERIOR ELEVATION**

TANK	RUNGS	PLATFORM HEIGHT (APPROX.)
SMALL	2	27"
MEDIUM	5	54"
LARGE	7	72"

FOR COMPLETE DESIGN AND PRODUCT INFORMATION CONTACT JENSEN PRECAST.