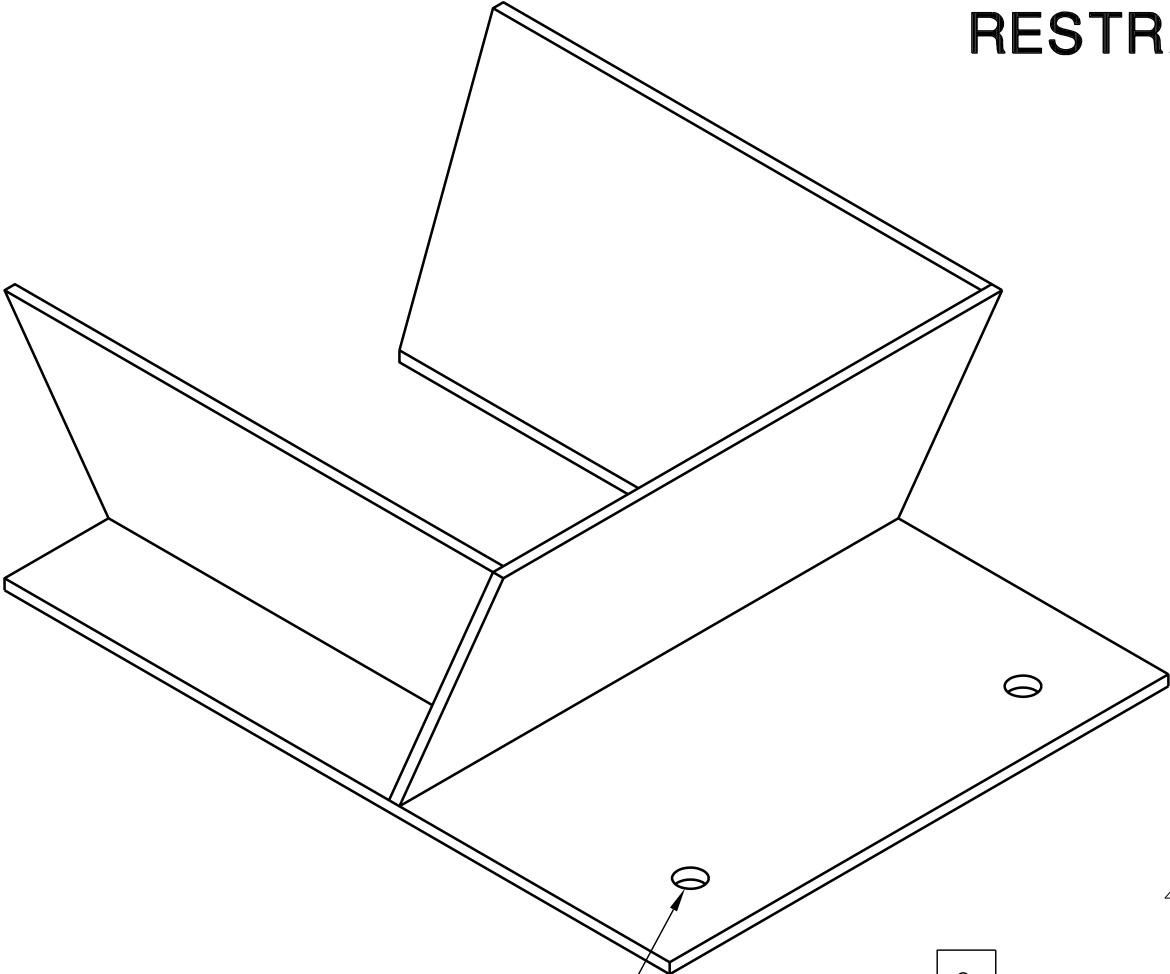
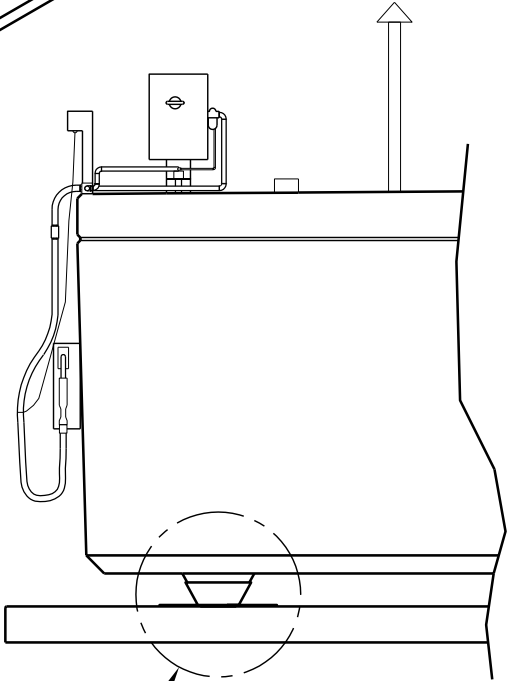


# EARTHQUAKE RESTRAINT



5/8"Ø FOR UP TO 5,000 GALLON MODELS,  
3/4"Ø FOR 6,000 GALLON AND LARGER MODELS,  
(TYP.)



TYPICAL EARTHQUAKE RESTRAINT IN PLACE

EARTHQUAKE RESTRAINTS ARE DESIGNED TO HOLD YOUR FUEL DISPENSING SYSTEM SECURELY IN PLACE ON ITS SLAB IN THE EVENT OF AN EARTHQUAKE.

FOR COMPLETE DESIGN AND PRODUCT INFORMATION CONTACT JENSEN PRECAST.