

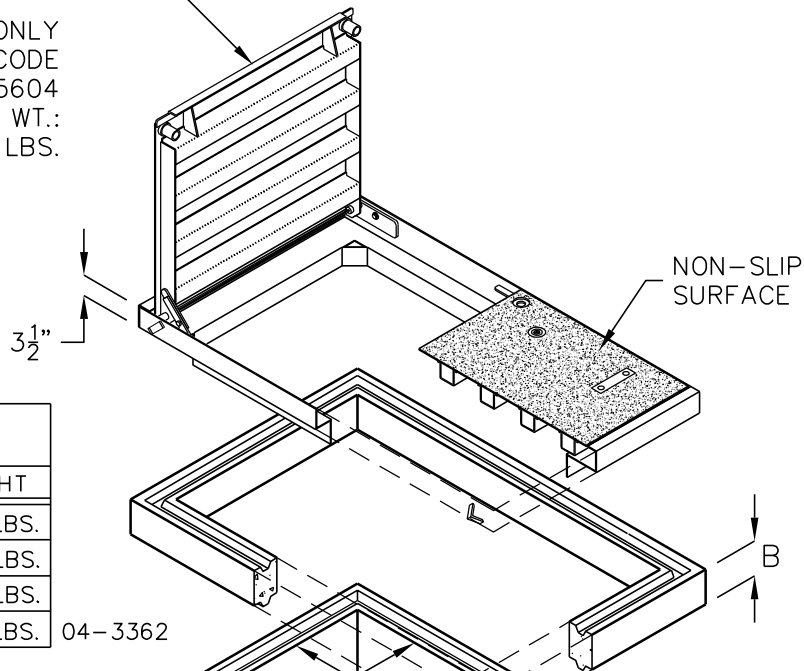
3660 PG&E

3'-0"x5'-0"x2'-6" I.D.
(NOMINAL DIMENSIONS)
INCIDENTAL TRAFFIC
CONCRETE BOX

PG&E #03-2506*

QUICK RELEASE
ALUMINUM COVER
DESIGN LOAD:
INCIDENTAL H-20

COVER ONLY
PG&E CODE
02-5604
APPROX. WT.:
690 LBS.

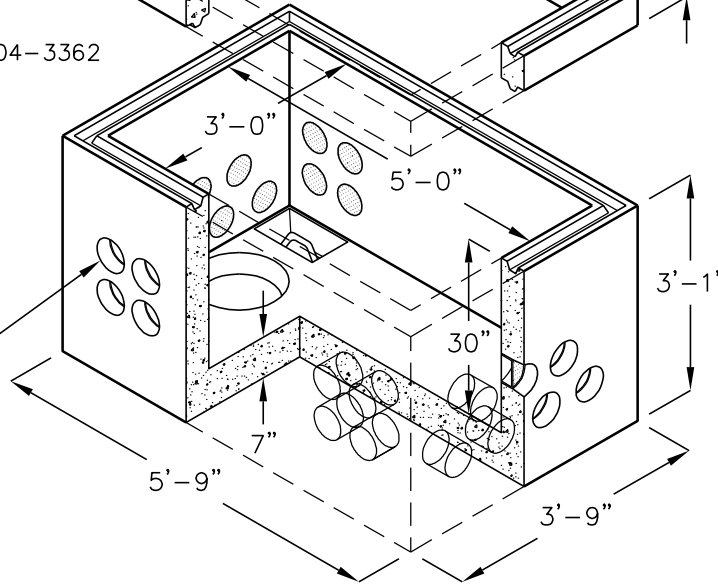


OPTIONAL RISERS (EXTENSIONS)		
MODEL NO.	B	WEIGHT
35-R4	4"	270 LBS.
35-R6	6"	420 LBS.
35-R8	8"	540 LBS.
35-R12	12"	835 LBS.

04-3362

BOX ONLY
PG&E CODE
03-2508
APPROX. WT.:
4400 LBS.

5" DUCT
TERMINATORS
30 TOTAL



*CODE INCLUDES BOX AND COVER ASSEMBLY.

DUCT TERMINATOR SIZE AND LOCATION, KNOCKOUTS,
PULLING IRONS, ETC. PER CURRENT PG&E SPECIFICATIONS.

FOR COMPLETE DESIGN AND PRODUCT INFORMATION,
CONTACT JENSEN PRECAST.

Jensen Precast reserves the right to make changes to product design
and/or dimensions without notice. Please contact Jensen Precast whenever
necessary for confirmation or advice on product design.

JENSEN
PRECAST