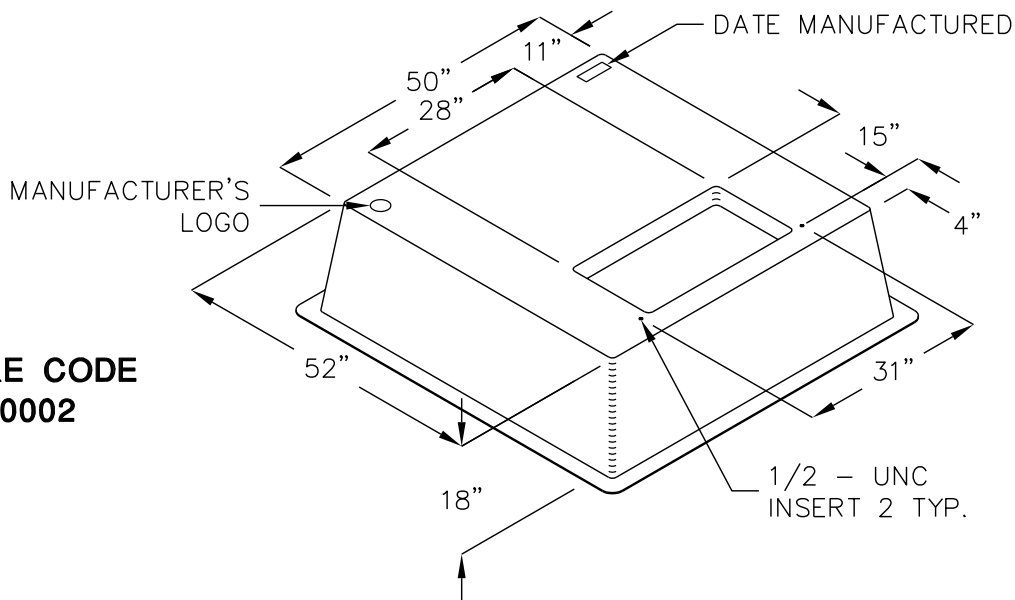


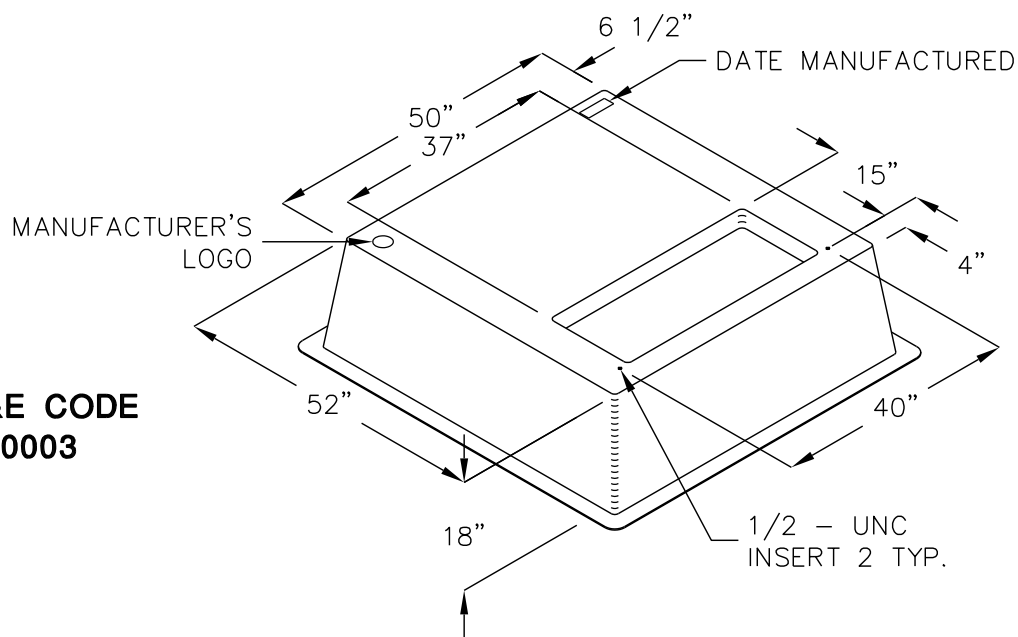
PADS

SINGLE AND DUPLEX DEAD-FRONT PAD MOUNTED TRANSFORMER

PG&E 50" x 52" x 18"



**PG&E CODE
M360002**



**PG&E CODE
M360003**