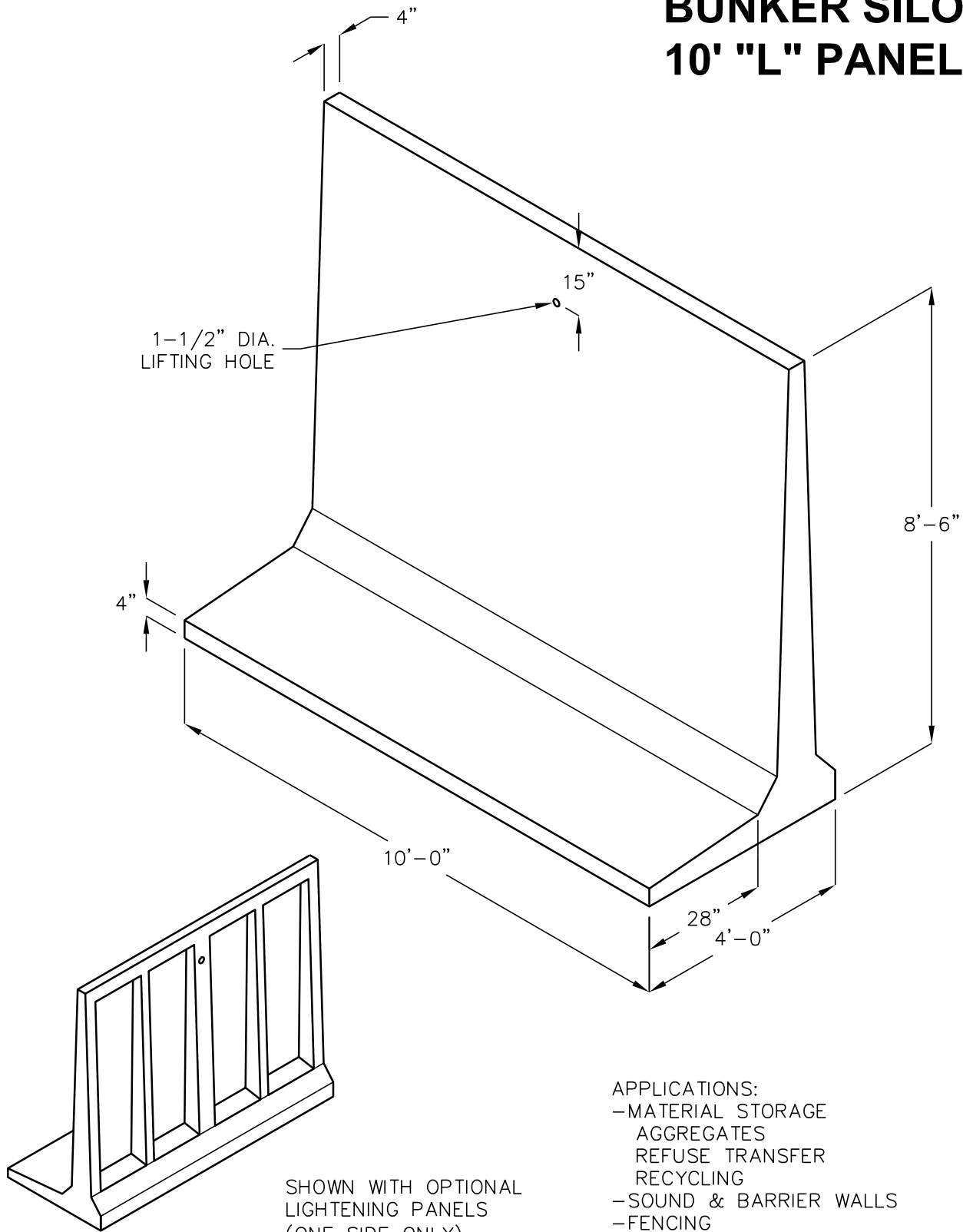


BUNKER SILO 10' "L" PANEL



- APPLICATIONS:
- MATERIAL STORAGE
 - AGGREGATES
 - REFUSE TRANSFER
 - RECYCLING
 - SOUND & BARRIER WALLS
 - FENCING
 - AGRICULTURAL CONTAINMENT
 - SILAGE STORAGE
 - MANURE PITS

FOR COMPLETE DESIGN AND PRODUCT INFORMATION
CONTACT JENSEN PRECAST.