

BIG BLOCK WALL SYSTEM

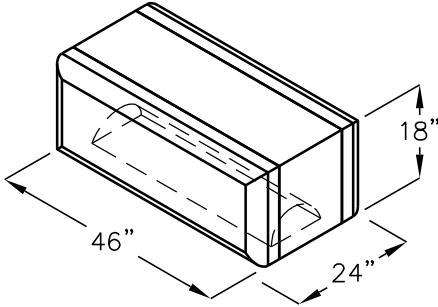
REDI-ROCK™ RETAINING WALL PERIMETER FREE-STANDING SERIES BLOCKS

(FINISHED ON TWO SIDES)

Straight

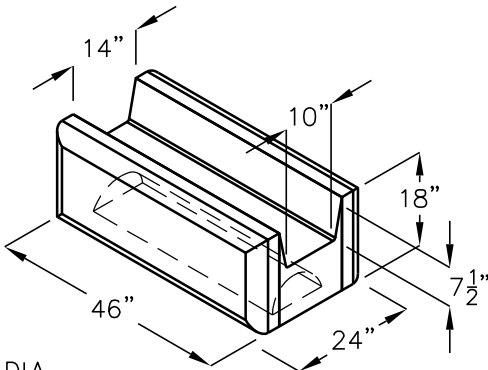
Full (46")
10.46 Cft
1496 Lbs ±

Half (23")
5.22 Cft
747 Lbs ±



Full (46")
7.98 Cft
1141 Lbs ±

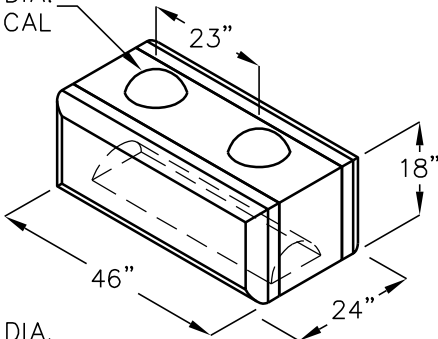
Half (23")
3.97 Cft
567 Lbs ±



10" DIA.
TYPICAL

Full (46")
10.68 Cft
1527 Lbs ±

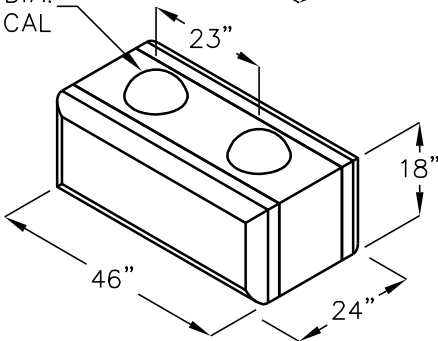
Half (23")
5.33 Cft
762 Lbs ±



10" DIA.
TYPICAL

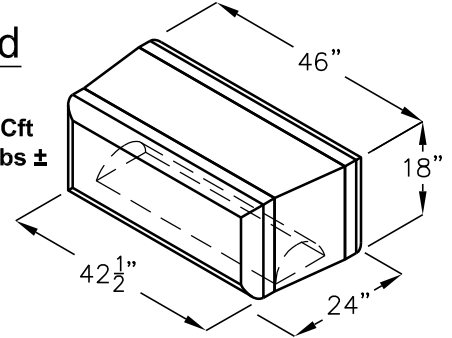
Full (46")
11.53 Cft
1649 Lbs ±

Half (23")
5.74 Cft
821 Lbs ±



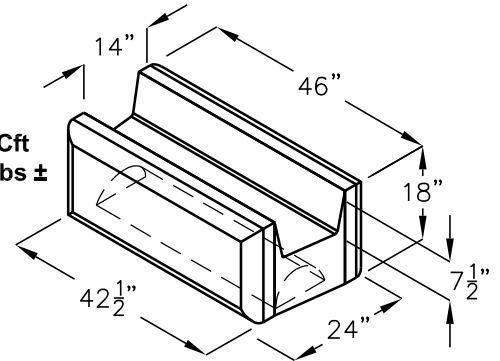
Curved

10.03 Cft
1434 Lbs ±



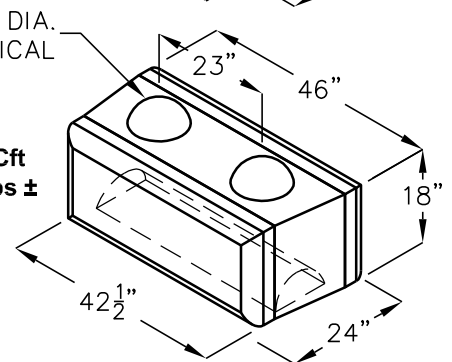
**Top -
Smooth or
Textured**

7.65 Cft
1093 Lbs ±



**Top -
Garden**

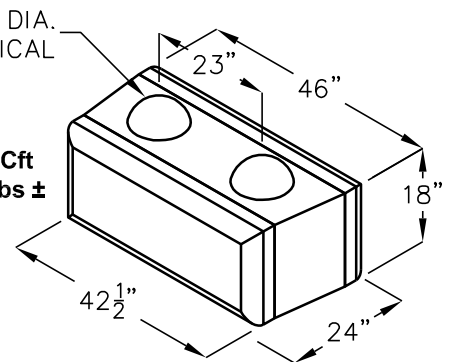
10.24 Cft
1465 Lbs ±



Middle

10" DIA.
TYPICAL

11.10 Cft
1588 Lbs ±



Bottom

WEIGHTS MAY VARY.

FOR COMPLETE DESIGN AND PRODUCT INFORMATION
CONTACT JENSEN PRECAST.

Jensen Precast reserves the right to make changes to product design and/or dimensions without notice. Please contact Jensen Precast whenever necessary for confirmation or advice on product design.

