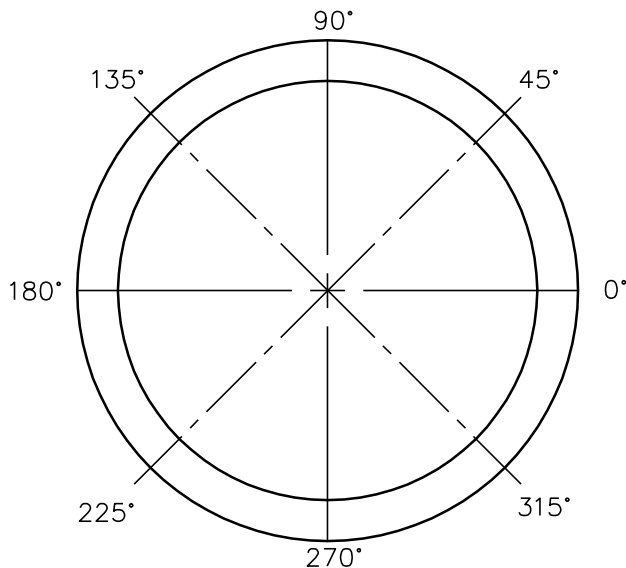


# 72" I.D. X 7" WALL PUMP STATION FOR SIMPLEX OR DUPLEX SYSTEM



INDICATE PIPE PENETRATIONS,  
(DEGREES) OPENING SIZE  
OPENING SIZE AND LOCATION

INDICATE  
HOLE SPECIFICATIONS

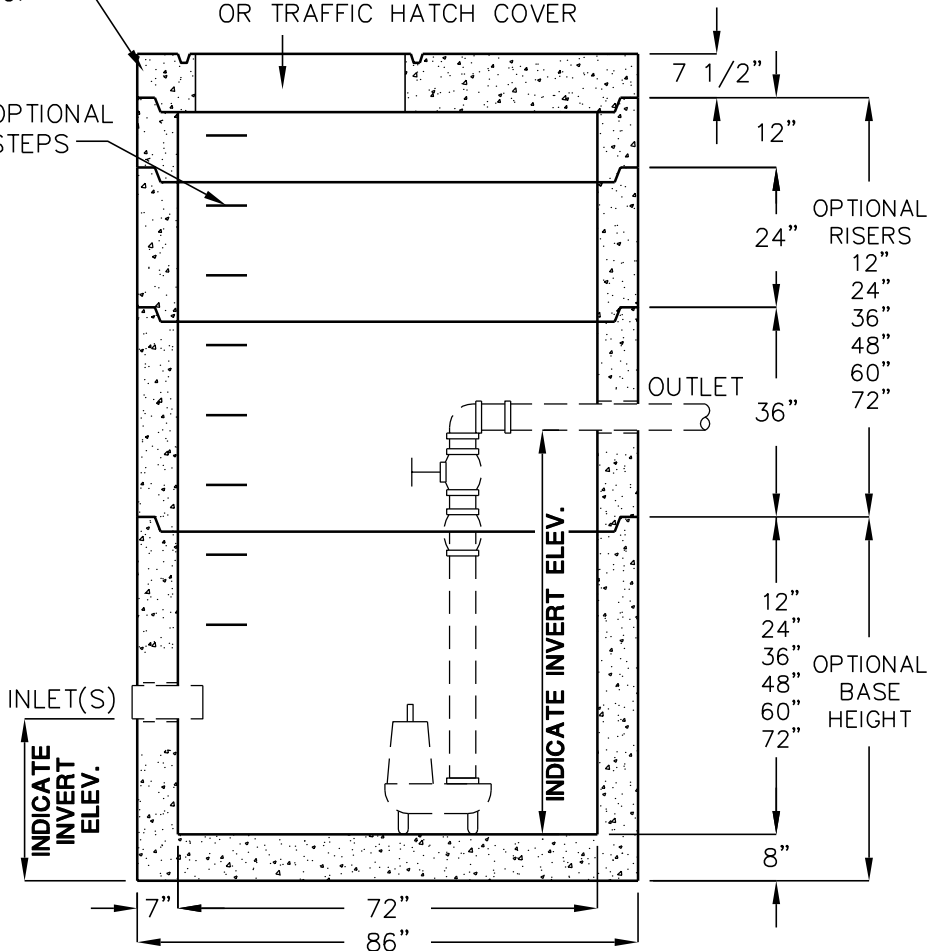
HOLE	SIZE	LOCATION (PLAN) (DEGREES)	INVERT ELEVATION (OUTSIDE MEASURE)

INDICATE COVER OPTION

\_\_\_\_\_ " CLEAR OPENING  
ALUMINUM OR STEEL, PEDESTRIAN  
OR TRAFFIC HATCH COVER

FLAT SLAB  
TOP

OPTIONAL  
STEPS



NOTES:

1. CONFORMS TO ASTM  
SPECS C-478 AND  
AASHTO M199-811.  
MAXIMUM DESIGN DEPTH,  
30'. FOR GREATER DEPTHS,  
CONTACT JENSEN PRECAST.

2. VARIOUS PIPE TO  
MANHOLE CONNECTOR  
OPTIONS AVAILABLE.  
CONTACT JENSEN PRECAST  
FOR MORE INFORMATION.

FOR COMPLETE DESIGN  
AND PRODUCT INFORMATION,  
CONTACT JENSEN PRECAST.