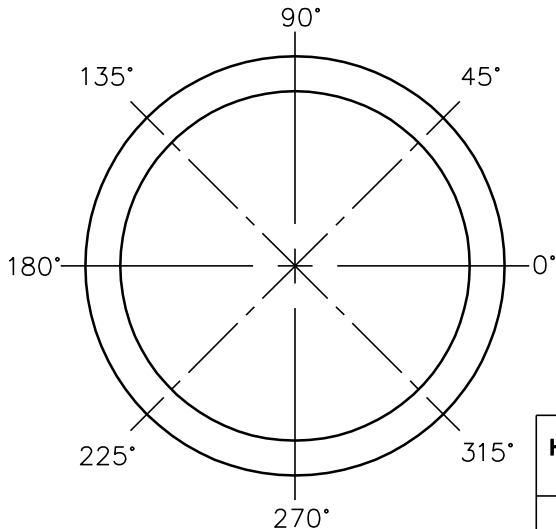


60" I.D. X 6" WALL PUMP STATION

FOR
SIMPLEX OR DUPLEX SYSTEM



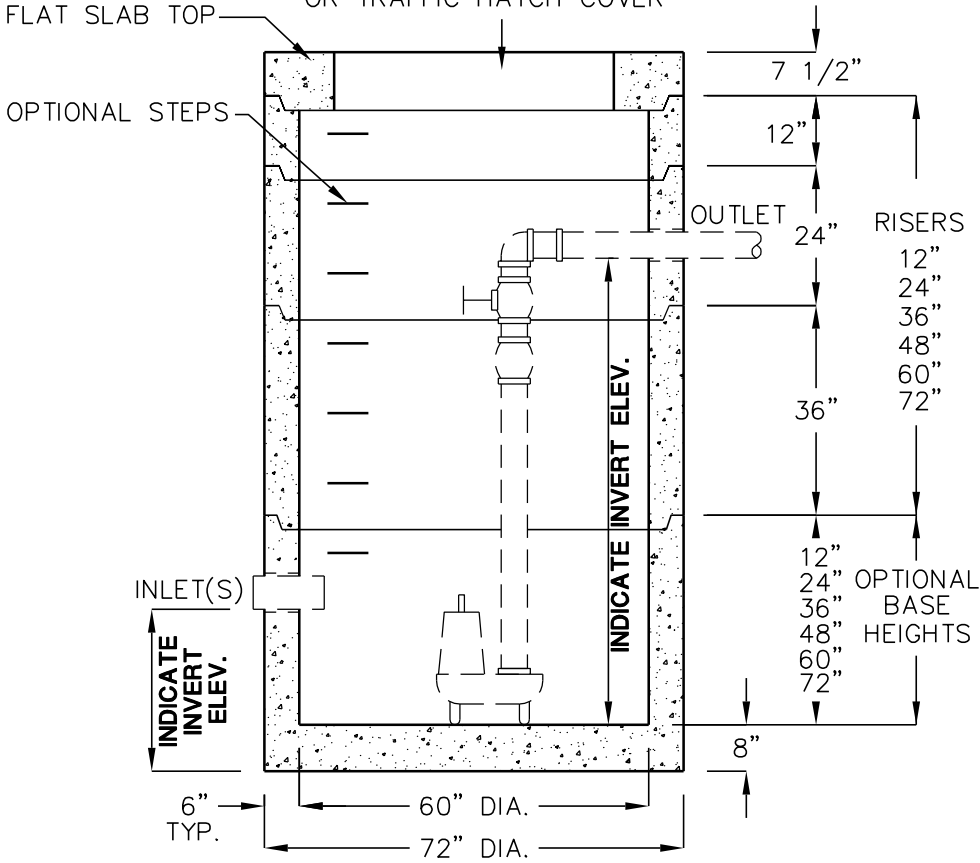
INDICATE PIPE
PENETRATIONS, (DEGREES)
OPENING SIZE
AND LOCATION

INDICATE
HOLE SPECIFICATIONS

| HOLE | SIZE | LOCATION (PLAN) (DEGREES) | INVERT ELEVATION (OUTSIDE MEASURE) |
|------|------|------------------------------|---------------------------------------|
| | | | |
| | | | |
| | | | |
| | | | |

INDICATE COVER OPTION

_____ " CLEAR OPENING
ALUMINUM OR STEEL, PEDESTRIAN
OR TRAFFIC HATCH COVER



- NOTES:
- CONFORMS TO ASTM SPECS C-478 AND AASHTO M199-811. MAXIMUM DESIGN DEPTH, 30'. FOR GREATER DEPTHS, CONTACT JENSEN PRECAST.
 - VARIOUS PIPE TO MANHOLE CONNECTOR OPTIONS AVAILABLE. CONTACT JENSEN PRECAST FOR MORE INFORMATION.

FOR COMPLETE DESIGN
AND PRODUCT INFORMATION,
CONTACT JENSEN PRECAST.

