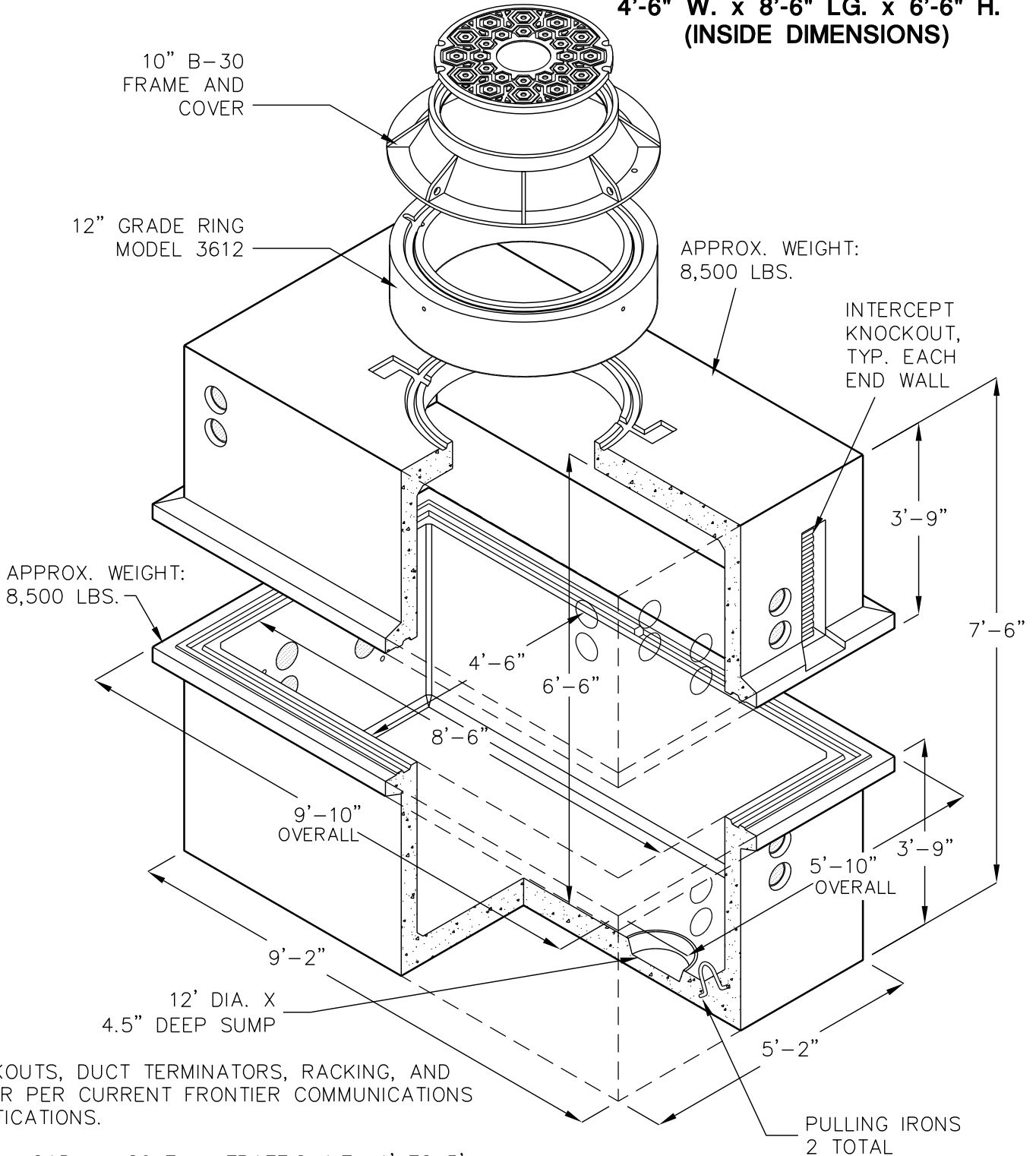


PTS65-I INTERCEPT MANHOLE

FRONTIER COMMUNICATIONS
4'-6" W. x 8'-6" LG. x 6'-6" H.
(INSIDE DIMENSIONS)



KNOCKOUTS, DUCT TERMINATORS, RACKING, AND LADDER PER CURRENT FRONTIER COMMUNICATIONS SPECIFICATIONS.

DESIGN LOAD: H-20 FULL TRAFFIC WITH 1' TO 5' EARTH COVER.

FOR COMPLETE DESIGN AND PRODUCT INFORMATION, CONTACT JENSEN PRECAST.

7/5/06
PTS65-I_FC_A.dwg
© 2006 Jensen Precast

JENSEN
PRECAST®