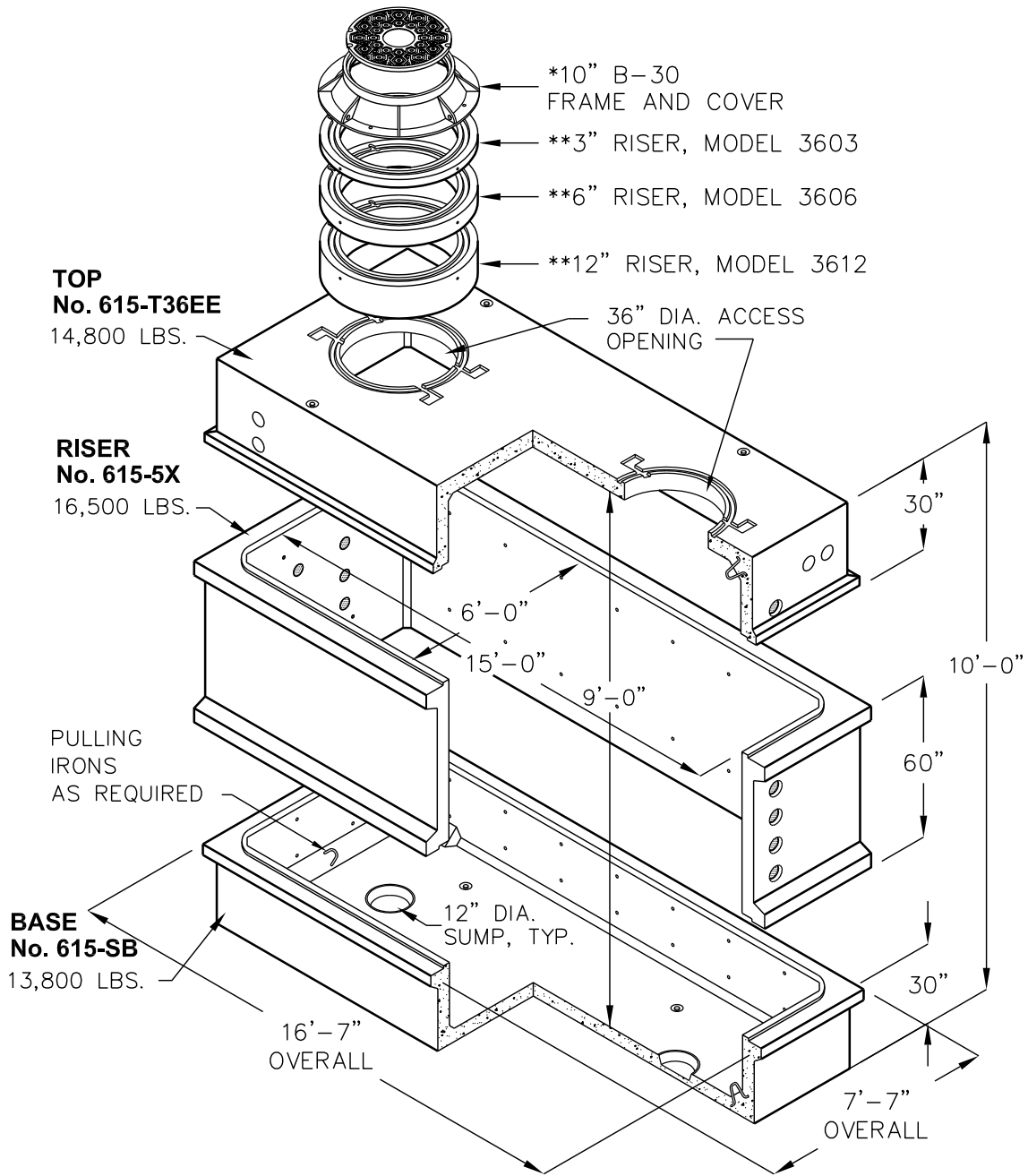


615-9 MANHOLE

FRONTIER COMMUNICATIONS
 6'-0" X 15'-0" X 9'-0" I.D.
 (NOMINAL DIMENSIONS)



* SEE HARDWARE/APPURTENANCES SECTION FOR SPECIFICATIONS.
 ** RISERS OPTIONAL. SEE COLLAR/RISER SECTION FOR SPECIFICATIONS.

KNOCKOUTS, DUCT TERMINATORS, RACKING, AND LADDER PER CURRENT FRONTIER COMMUNICATIONS SPECIFICATIONS.

DESIGN LOAD: H-20 TRAFFIC WITH 1' TO 5' EARTH COVER.

FOR COMPLETE DESIGN AND PRODUCT INFORMATION, CONTACT JENSEN PRECAST.