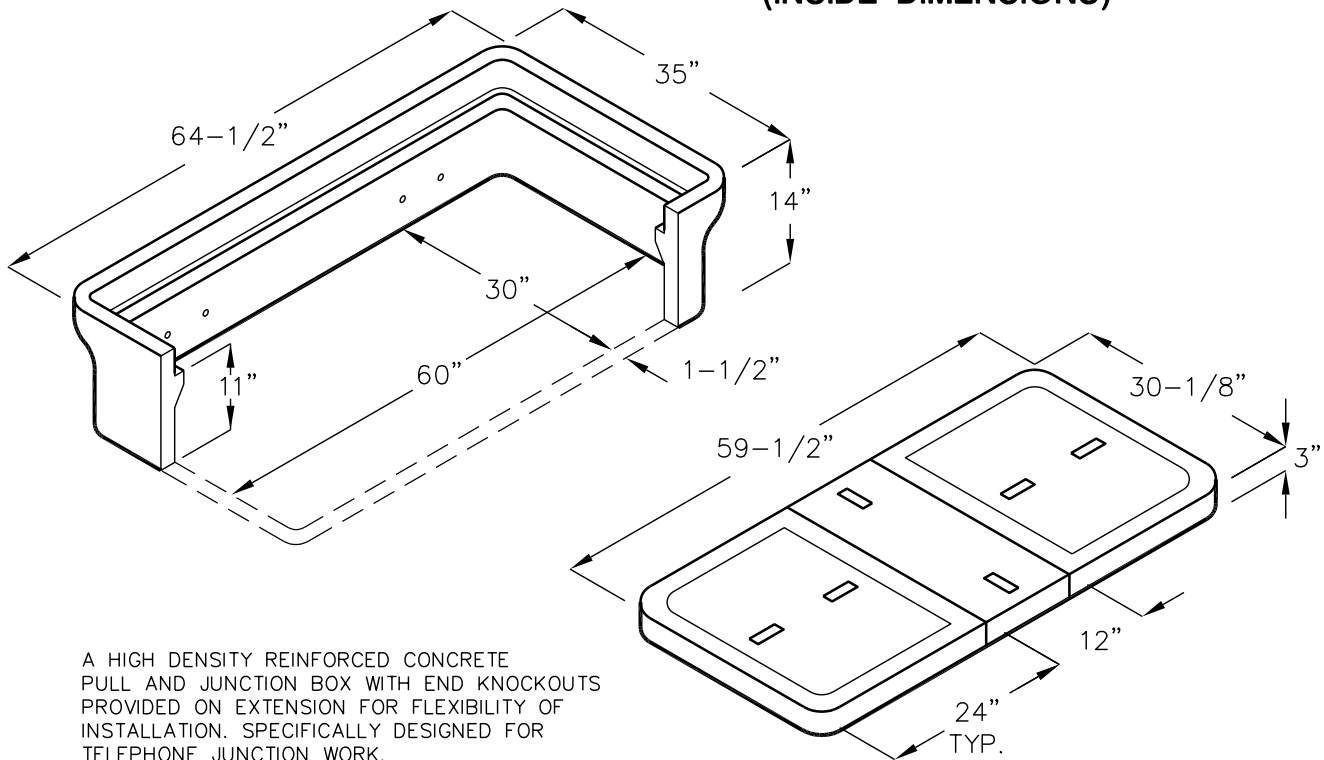
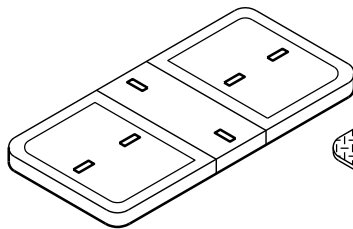


# P52 TELEPHONE HANDHOLE

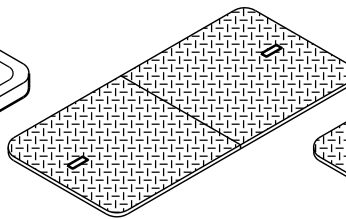
30" x 60" x 11"  
(INSIDE DIMENSIONS)



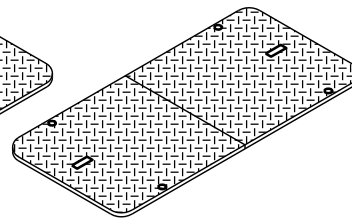
A HIGH DENSITY REINFORCED CONCRETE PULL AND JUNCTION BOX WITH END KNOCKOUTS PROVIDED ON EXTENSION FOR FLEXIBILITY OF INSTALLATION. SPECIFICALLY DESIGNED FOR TELEPHONE JUNCTION WORK.



P52D3  
LID



P52-62D  
COVER



P52-62J  
COVER

CATALOG NUMBER	PRODUCT	DESCRIPTION	APPROX. WT. (LBS.)
P52	BOX	REINFORCED CONCRETE	487
P52D3	LID	3 PIECE REINFORCED CONCRETE	425
P52-62D	COVER	2 PIECE STEEL CHECKER PLATE	187
P52-62J	COVER	2 PIECE STEEL CHECKER PLATE WITH HOLD DOWN BOLTS	187
P52X10	EXTENSION	10" HIGH REINFORCED CONCRETE	309
P52SL	SLAB	REINFORCED CONCRETE	509