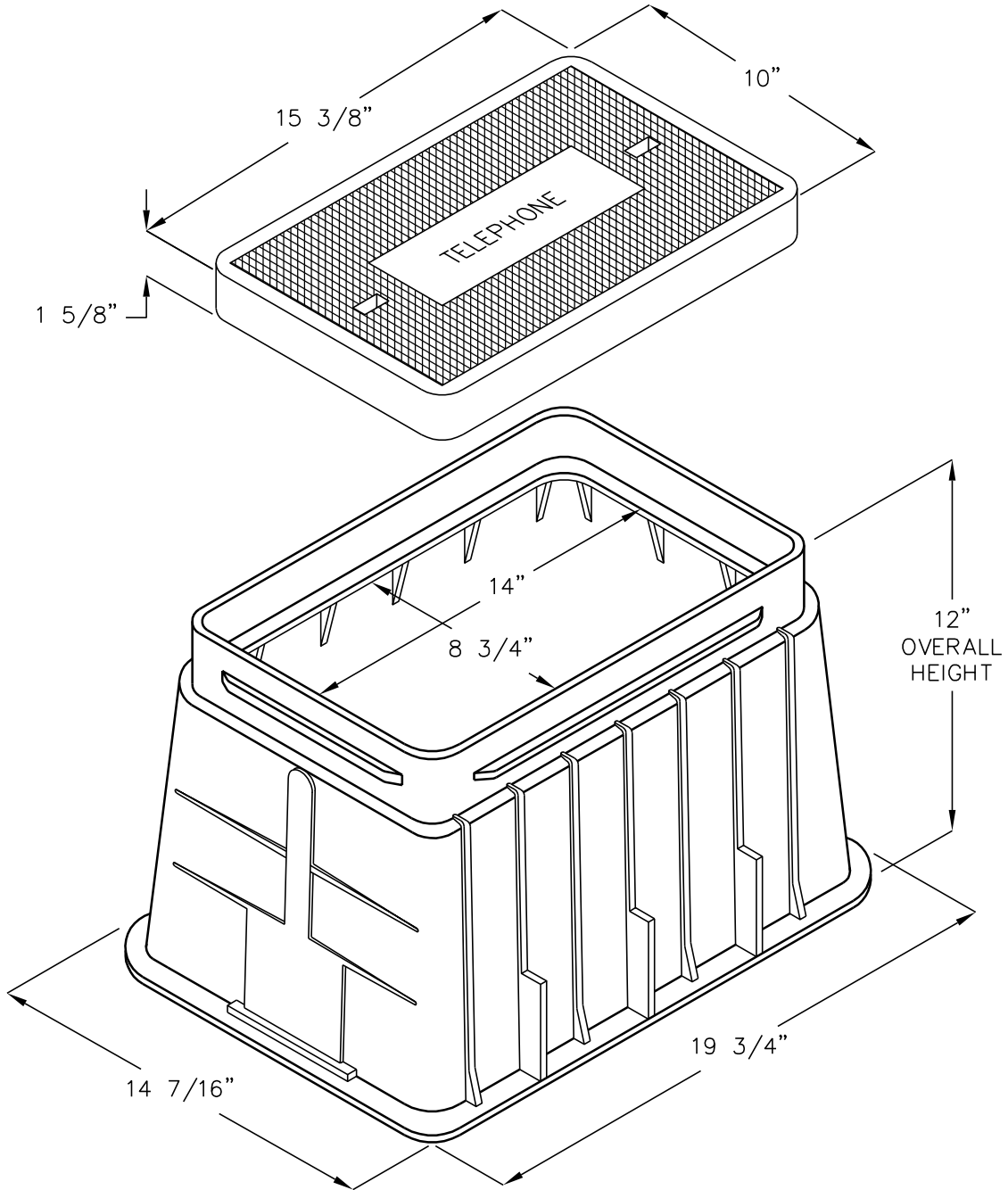


FL9 HANDHOLE

FIBRELYTE 10"x17"
(NOMINAL DIMENSIONS)



FOR COMPLETE DESIGN
AND PRODUCT INFORMATION
CONTACT JENSEN PRECAST.

| CATALOG NUMBER | PRODUCT | DESCRIPTION | APPROX. WT. (LBS.) |
|----------------|---------|---------------|--------------------|
| CYFL09 | BOX | FIBRELYTE BOX | 9 |
| CYFL09TEL | LID | FIBRELYTE LID | 5 |